

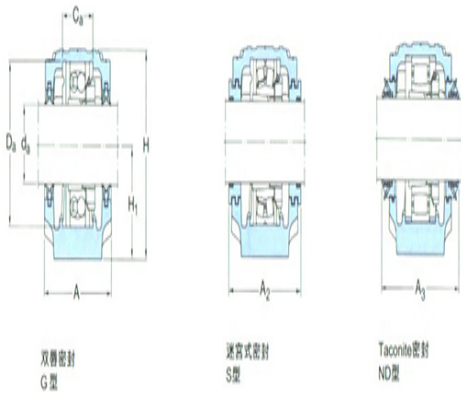
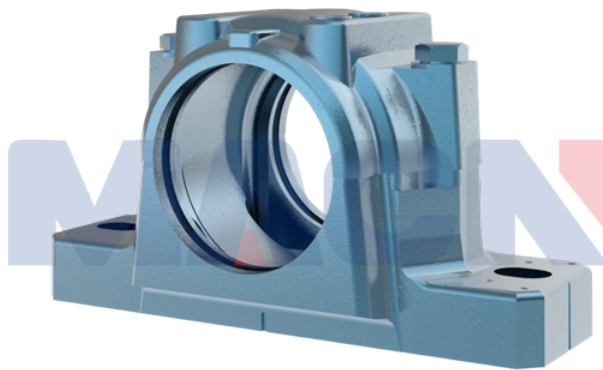
**Model: SNL208-307**

diameter of axle

$d_a$ :	40
---------	----

bearing block

A:	85
$A_1$ :	60
H:	108
$H_1$ :	60
$H_2$ :	25
J:	170
L:	205
N:	20
$N_1$ :	15
G:	12
quality:	2.75



model

Bearing seat with seals on both sides:	SNL208T S
Component bearing seat:	SNL208-307
seal components:	TSN208S
end cap:	ASNH51 0-608

diameter of axle

$d_a$ :	
$d_b$ :	

Hole

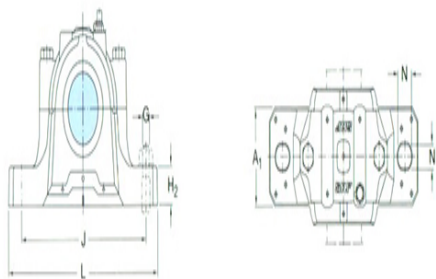
$C_a$ :	
$D_a$ :	

Total width of the attached seal

$A_2$ :	
$A_3$ :	

Applicable bearings and related parts

Automatic centering ball
--------------------------



bearing

spherical roller bearing:

Positioning rings

2 per bearing seat

:

Automatic centering ball

bearing

spherical roller bearing

CARB bearing:

Positioning rings

2 per bearing seat

: