

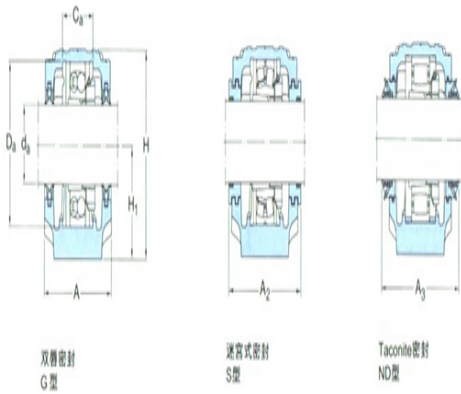
Model: TSN308A

diameter of axle

d_a :	40
---------	----

bearing block

A:	90
A_1 :	60
H:	113
H_1 :	60
H_2 :	25
J:	170
L:	205
N:	20
N_1 :	15
G:	12
quality:	3.2



model

Bearing seat with seals on both sides:	SNL308T A
Component bearing seat:	SNL510-608
seal components:	TSN308A
end cap:	ASNH510-608

diameter of axle

d_a :	
d_b :	

Hole

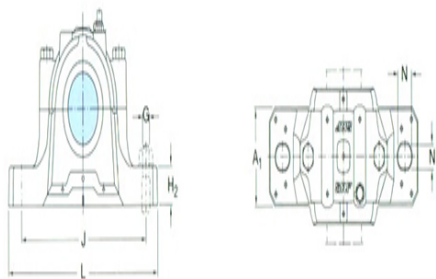
C_a :	
D_a :	

Total width of the attached seal

A_2 :	
A_3 :	

Applicable bearings and related parts

Automatic centering ball



bearing

spherical roller bearing:

Positioning rings

2 per bearing seat

:

Automatic centering ball

bearing

spherical roller bearing

CARB bearing:

Positioning rings

2 per bearing seat

: