

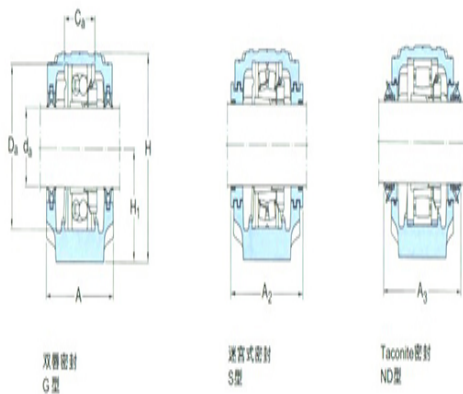
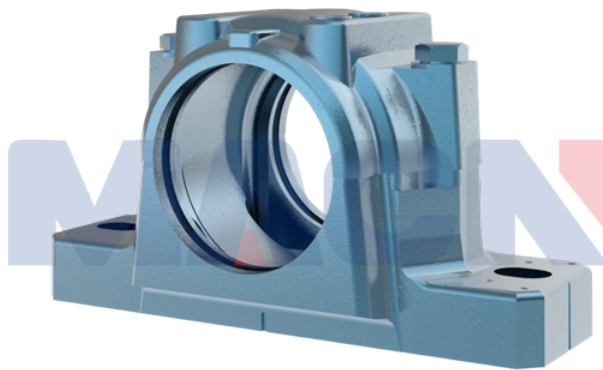
Model: ASNH506-605

diameter of axle

d_a :	25
---------	----

bearing block

A:	67
A_1 :	46
H:	74
H_1 :	40
H_2 :	19
J:	130
L:	165
N:	20
N_1 :	15
G:	12
quality:	1.4



model

Bearing seat with seals on both sides:	SNL205T G
Component bearing seat:	SNL205
seal components:	TSN205G
end cap:	ASNH506-605

diameter of axle

d_a :	25
d_b :	30

Hole

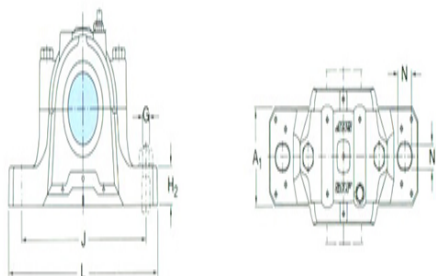
C_a :	25
D_a :	52

Total width of the attached seal

A_2 :	90
A_3 :	140

Applicable bearings and related parts

Automatic centering ball	1205E
--------------------------	-------



bearing
spherical roller bearing:
Positioning rings
2 per bearing seat FRB5/52
:
Automatic centering ball
bearing
spherical roller bearing 2205E
CARB bearing:
Positioning rings FRB3.5/5
2 per bearing seat 2
: