

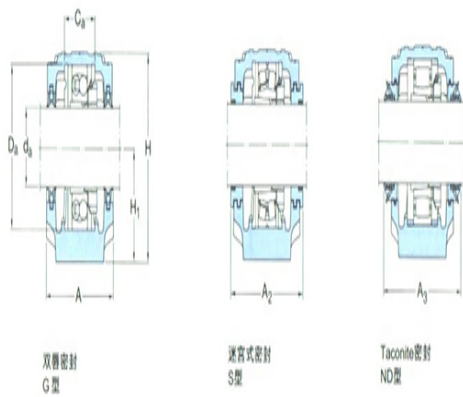
Model: ASNH506-605

diameter of axle

| | |
|---------|----|
| d_a : | 25 |
|---------|----|

bearing block

| | |
|----------|-----|
| A: | 67 |
| A_1 : | 46 |
| H: | 74 |
| H_1 : | 40 |
| H_2 : | 19 |
| J: | 130 |
| L: | 165 |
| N: | 20 |
| N_1 : | 15 |
| G: | 12 |
| quality: | 1.4 |



双唇密封
G型

液压式密封
S型

Taconite密封
ND型

model

| | |
|--|--------------|
| Bearing seat with seals on both sides: | SNL205T S |
| Component bearing seat: | SNL205 |
| seal components: | TSN205S |
| end cap: | ASNH50 6-605 |

diameter of axle

| | |
|---------|----|
| d_a : | 25 |
| d_b : | 30 |

Hole

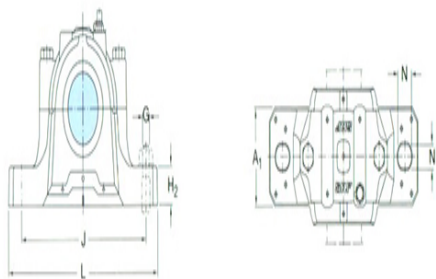
| | |
|---------|----|
| C_a : | 25 |
| D_a : | 52 |

Total width of the attached seal

| | |
|---------|-----|
| A_2 : | 90 |
| A_3 : | 140 |

Applicable bearings and related parts

| | |
|--------------------------|---|
| Automatic centering ball | - |
|--------------------------|---|



| | |
|----------------------------------|----------|
| bearing | |
| spherical roller bearing: | |
| Positioning rings | |
| 2 per bearing seat | - |
| : | |
| Automatic centering ball bearing | |
| spherical roller bearing | 22205E |
| CARB bearing: | |
| Positioning rings | FRB3.5/5 |
| 2 per bearing seat | 2 |
| : | |