

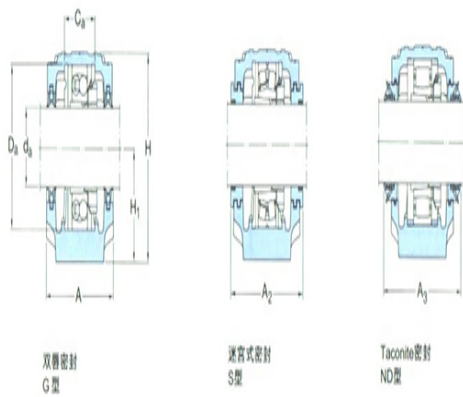
Model: ASNH507-606

diameter of axle

d_a :	25
---------	----

bearing block

A:	77
A_1 :	52
H:	89
H_1 :	50
H_2 :	22
J:	150
L:	185
N:	20
N_1 :	15
G:	12
quality:	1.9



model

Bearing seat with seals on both sides:	SNL305T G
Component bearing seat:	SNL206-305
seal components:	TSN305G
end cap:	ASNH507-606

diameter of axle

d_a :	25
d_b :	30

Hole

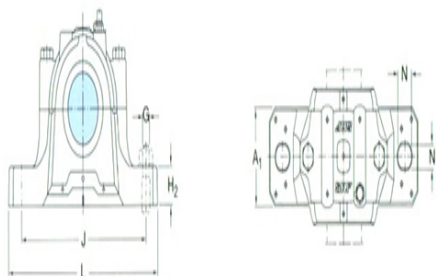
C_a :	32
D_a :	62

Total width of the attached seal

A_2 :	89
A_3 :	140

Applicable bearings and related parts

Automatic centering ball	1305E
--------------------------	-------



bearing

spherical roller bearing:

Positioning rings	FRB7.5/6
2 per bearing seat	2
:	

Automatic centering ball

bearing

spherical roller bearing	2305
--------------------------	------

CARB bearing:

Positioning rings

2 per bearing seat	FRB4/62
:	