

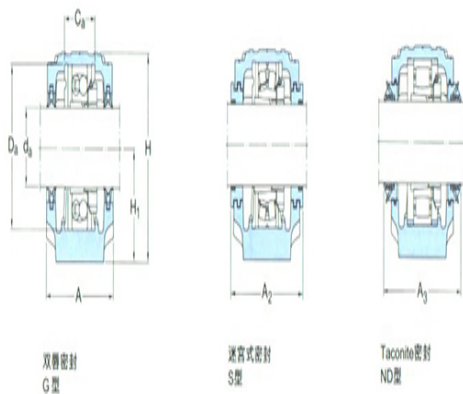
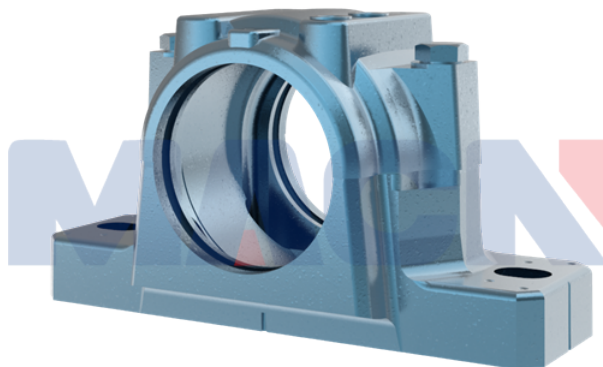
**Model: ASNH507-606**

diameter of axle

$d_a$ :	25
---------	----

bearing block

A:	77
$A_1$ :	52
H:	89
$H_1$ :	50
$H_2$ :	22
J:	150
L:	185
N:	20
$N_1$ :	15
G:	12
quality:	1.9



双唇密封  
G型

混合式密封  
S型

Taconite密封  
NO型

model

Bearing seat with seals on both sides:	SNL305TN D
Component bearing seat:	SNL206-305
seal components:	TSN305ND
end cap:	ASNH507-606

diameter of axle

$d_a$ :	30
$d_b$ :	35

Hole

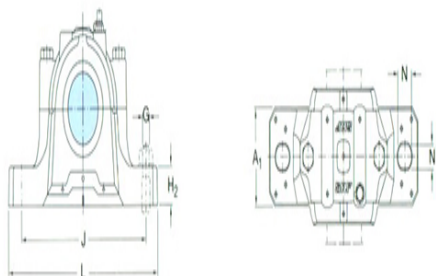
$C_a$ :	32
$D_a$ :	62

Total width of the attached seal

$A_2$ :	89
$A_3$ :	150

Applicable bearings and related parts

Automatic centering	1206E
---------------------	-------



ball bearing  
spherical roller  
bearing:  
Positioning rings  
2 per bearing seat      FRB8/62  
:  
Automatic centering  
ball bearing                      2206E  
spherical roller bearing  
CARB bearing:  
Positioning rings  
2 per bearing seat      FRB6/62  
: