

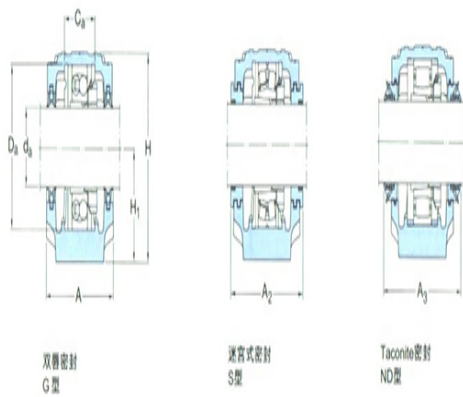
Model: ASNH507-606

diameter of axle

| | |
|---------|----|
| d_a : | 30 |
|---------|----|

bearing block

| | |
|----------|-----|
| A: | 77 |
| A_1 : | 52 |
| H: | 89 |
| H_1 : | 50 |
| H_2 : | 22 |
| J: | 150 |
| L: | 185 |
| N: | 20 |
| N_1 : | 15 |
| G: | 12 |
| quality: | 1.9 |



model

| | |
|--|--------------|
| Bearing seat with seals on both sides: | SNL206T G |
| Component bearing seat: | SNL206-305 |
| seal components: | TSN206G |
| end cap: | ASNH507-606 |

diameter of axle

| | |
|---------|----|
| d_a : | 30 |
| d_b : | 35 |

Hole

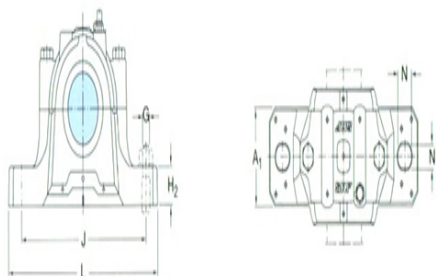
| | |
|---------|----|
| C_a : | 32 |
| D_a : | 62 |

Total width of the attached seal

| | |
|---------|-----|
| A_2 : | 89 |
| A_3 : | 150 |

Applicable bearings and related parts

| | |
|--------------------------|---|
| Automatic centering ball | - |
|--------------------------|---|



bearing

spherical roller bearing:

Positioning rings

2 per bearing seat -

:

Automatic centering ball

bearing

spherical roller bearing 22206E

CARB bearing:

Positioning rings

2 per bearing seat FRB6/62

: