

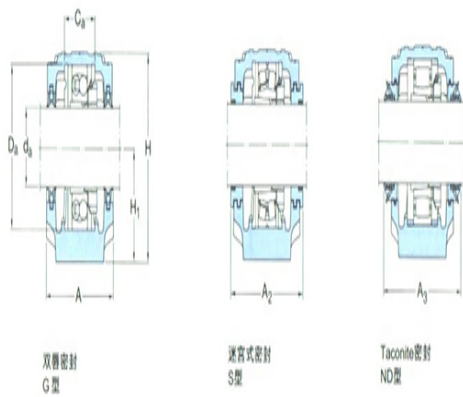
Model: ASNH507-606

diameter of axle

d_a :	30
---------	----

bearing block

A:	77
A_1 :	52
H:	89
H_1 :	50
H_2 :	22
J:	150
L:	185
N:	20
N_1 :	15
G:	12
quality:	1.9



model

Bearing seat with seals on both sides:	SNL206T A
Component bearing seat:	SNL206-305
seal components:	TSN206A
end cap:	ASNH507-606

diameter of axle

d_a :	30
d_b :	35

Hole

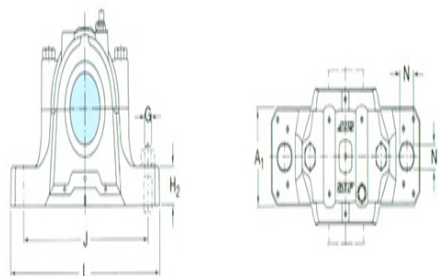
C_a :	32
D_a :	62

Total width of the attached seal

A_2 :	89
A_3 :	150

Applicable bearings and related parts

Automatic centering ball	-
--------------------------	---



bearing

spherical roller bearing:

Positioning rings

2 per bearing seat -

:

Automatic centering ball

bearing

spherical roller bearing C2206

CARB bearing:

Positioning rings

2 per bearing seat FRB6/62

: