

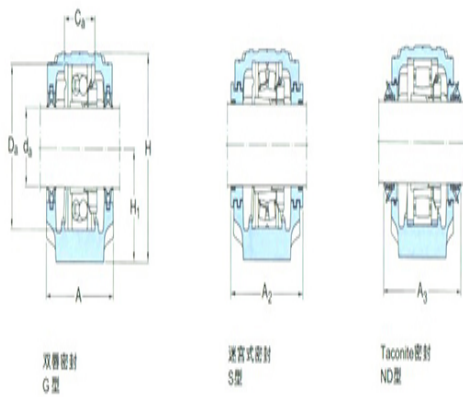
**Model: ASNH507-606**

diameter of axle

$d_a$ :	30
---------	----

bearing block

A:	77
$A_1$ :	52
H:	89
$H_1$ :	50
$H_2$ :	22
J:	150
L:	185
N:	20
$N_1$ :	15
G:	12
quality:	1.9



model

Bearing seat with seals on both sides:	SNL206T S
Component bearing seat:	SNL206-305
seal components:	TSN206S
end cap:	ASNH507-606

diameter of axle

$d_a$ :	30
$d_b$ :	35

Hole

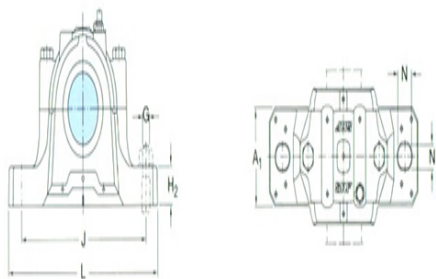
$C_a$ :	34
$D_a$ :	72

Total width of the attached seal

$A_2$ :	94
$A_3$ :	155

Applicable bearings and related parts

Automatic centering ball	1306E
--------------------------	-------



bearing	
spherical roller bearing:	
Positioning rings	FRB7.5/7
2 per bearing seat	2
:	
Automatic centering ball bearing	
spherical roller bearing	2306
CARB bearing:	
Positioning rings	FRB3.5/7
2 per bearing seat	2
:	