

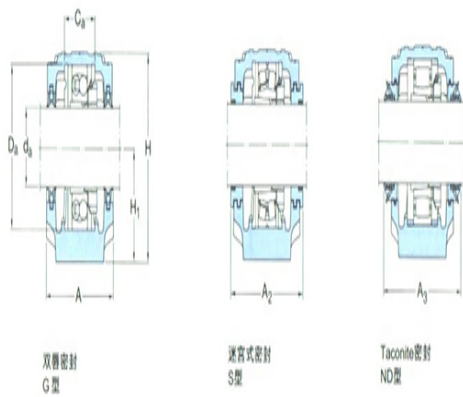
**Model: ASNH507-606**

diameter of axle

$d_a$ :	30
---------	----

bearing block

A:	82
$A_1$ :	52
H:	93
$H_1$ :	50
$H_2$ :	22
J:	150
L:	185
N:	20
$N_1$ :	15
G:	12
quality:	2.2



model

Bearing seat with seals on both sides:	SNL306T G
Component bearing seat:	SNL507-606
seal components:	TSN306G
end cap:	ASNH507-606

diameter of axle

$d_a$ :	30
$d_b$ :	35

Hole

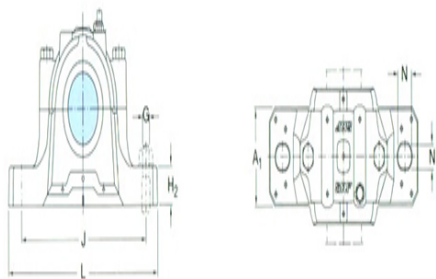
$C_a$ :	34
$D_a$ :	72

Total width of the attached seal

$A_2$ :	94
$A_3$ :	155

Applicable bearings and related parts

Automatic centering ball	-
--------------------------	---



bearing

spherical roller bearing:

Positioning rings

2 per bearing seat -

:

Automatic centering ball

bearing

spherical roller bearing -

CARB bearing:

Positioning rings

2 per bearing seat -

: