

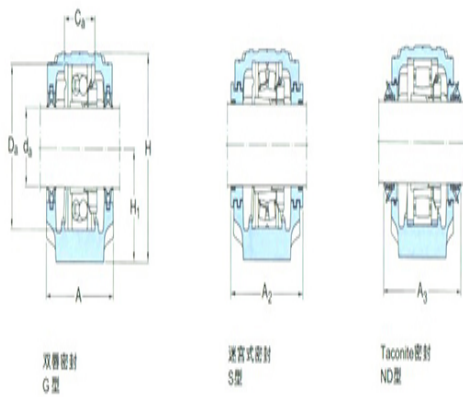
**Model: ASNH507-606**

diameter of axle

$d_a$ :	30
---------	----

bearing block

A:	82
$A_1$ :	52
H:	93
$H_1$ :	50
$H_2$ :	22
J:	150
L:	185
N:	20
$N_1$ :	15
G:	12
quality:	2.2



双唇密封  
G型

混合式密封  
S型

Taconite密封  
NO型

model

Bearing seat with seals on both sides:	SNL306T A
Component bearing seat:	SNL507-606
seal components:	TSN306A
end cap:	ASNH507-606

diameter of axle

$d_a$ :	35
$d_b$ :	45

Hole

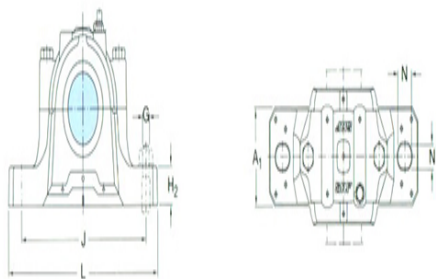
$C_a$ :	34
$D_a$ :	72

Total width of the attached seal

$A_2$ :	96
$A_3$ :	160

Applicable bearings and related parts

Automatic centering ball	1207E
--------------------------	-------



bearing  
spherical roller bearing:

Positioning rings	FRB8.5/7
2 per bearing seat	2
:	

Automatic centering ball  
bearing 2207E  
spherical roller bearing  
CARB bearing:

Positioning rings	FRB5.5/7
2 per bearing seat	2
:	