

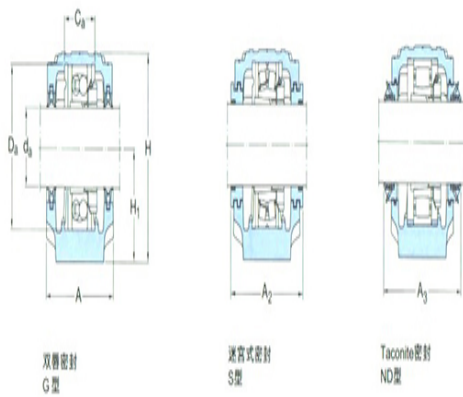
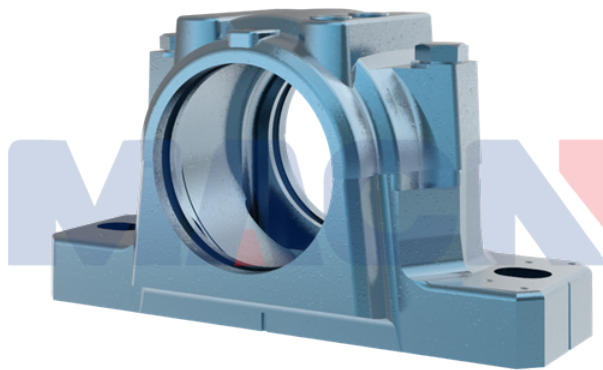
**Model: ASNH507-606**

diameter of axle

$d_a$ :	30
---------	----

bearing block

A:	82
$A_1$ :	52
H:	93
$H_1$ :	50
$H_2$ :	22
J:	150
L:	185
N:	20
$N_1$ :	15
G:	12
quality:	2.2



双圈密封  
G型

混合式密封  
S型

Taconite密封  
ND型

model

Bearing seat with seals on both sides:	SNL306TN D
Component bearing seat:	SNL507-606
seal components:	TSN306ND
end cap:	ASNH507-606

diameter of axle

$d_a$ :	35
$d_b$ :	45

Hole

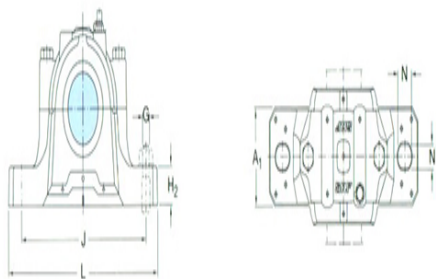
$C_a$ :	34
$D_a$ :	72

Total width of the attached seal

$A_2$ :	96
$A_3$ :	160

Applicable bearings and related parts

Automatic centering	-
---------------------	---



ball bearing  
spherical roller  
bearing:

Positioning rings  
2 per bearing seat -  
:

Automatic centering  
ball bearing C2207  
spherical roller bearing  
CARB bearing:

Positioning rings  
2 per bearing seat FRB5.5/72  
: