

Model: ASNH510-608

diameter of axle

d_a :	35
---------	----

bearing block

A:	85
A_1 :	60
H:	108
H_1 :	60
H_2 :	25
J:	170
L:	205
N:	20
N_1 :	15
G:	12
quality:	2.75

model

Bearing seat with seals on both sides:	SNL307T A
Component bearing seat:	SNL208-307
seal components:	TSN307A
end cap:	ASNH510-608

diameter of axle

d_a :	40
d_b :	50

Hole

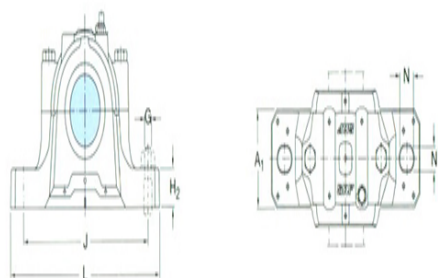
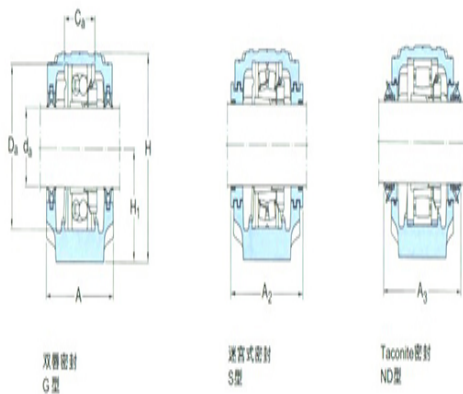
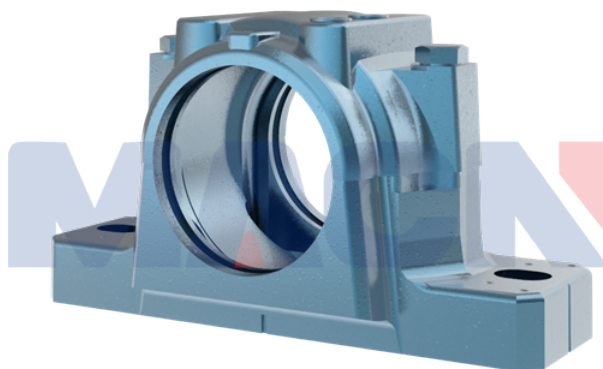
C_a :	39
D_a :	80

Total width of the attached seal

A_2 :	99
A_3 :	160

Applicable bearings and related parts

Automatic centering ball	-
--------------------------	---



bearing
spherical roller bearing:
Positioning rings
2 per bearing seat -
:
Automatic centering ball
bearing C2208
spherical roller bearing
CARB bearing:
Positioning rings
2 per bearing seat FRB8/80
: