

Model: ASNH510-608

diameter of axle

d_a : 35

bearing block

A: 85

A_1 : 60

H: 108

H_1 : 60

H_2 : 25

J: 170

L: 205

N: 20

N_1 : 15

G: 12

quality: 2.75

model

Bearing seat with seals
on both sides: SNL307T
S

Component
bearing seat: SNL208-
307

seal components: TSN307S

end cap: ASNH51
0-608

diameter of axle

d_a : 40

d_b : 50

Hole

C_a : 41

D_a : 90

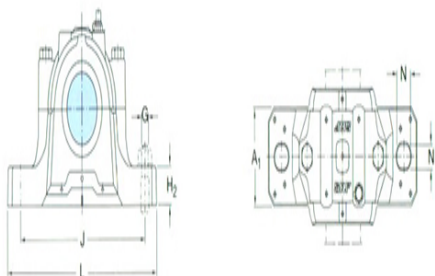
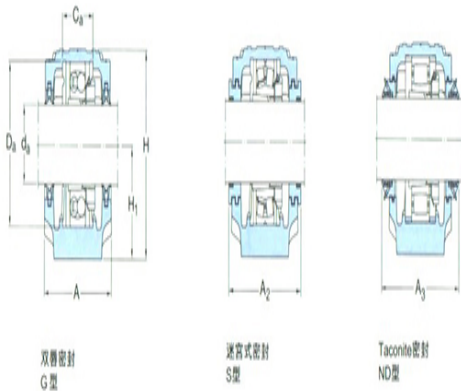
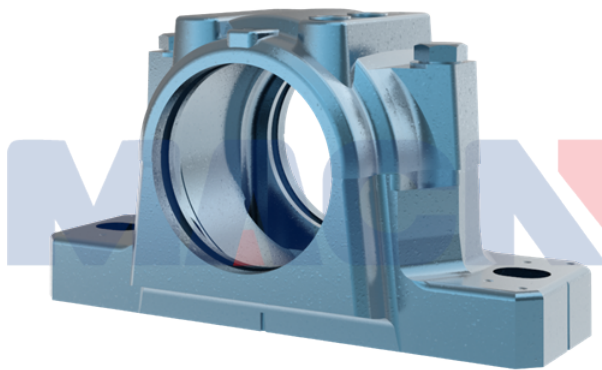
Total width of the attached seal

A_2 : 102

A_3 : 167

Applicable bearings and related
parts

Automatic centering ball 1308E



bearing
spherical roller bearing:
Positioning rings
2 per bearing seat FRB9/90
:
Automatic centering ball
bearing
spherical roller bearing 2308E
CARB bearing:
Positioning rings
2 per bearing seat FRB4/90
: