

Model: ASNH510-608

diameter of axle

| | |
|---------|----|
| d_a : | 40 |
|---------|----|

bearing block

| | |
|----------|------|
| A: | 85 |
| A_1 : | 60 |
| H: | 108 |
| H_1 : | 60 |
| H_2 : | 25 |
| J: | 170 |
| L: | 205 |
| N: | 20 |
| N_1 : | 15 |
| G: | 12 |
| quality: | 2.75 |

model

| | |
|--|--------------|
| Bearing seat with seals on both sides: | SNL208T G |
| Component bearing seat: | SNL208-307 |
| seal components: | TSN208G |
| end cap: | ASNH510-608 |

diameter of axle

| | |
|---------|----|
| d_a : | 40 |
| d_b : | 50 |

Hole

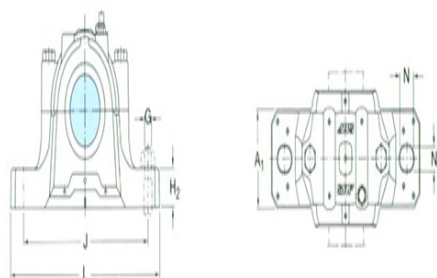
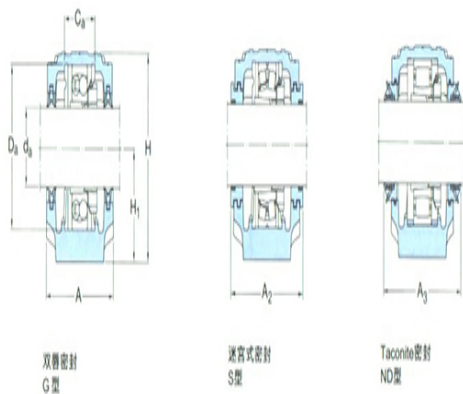
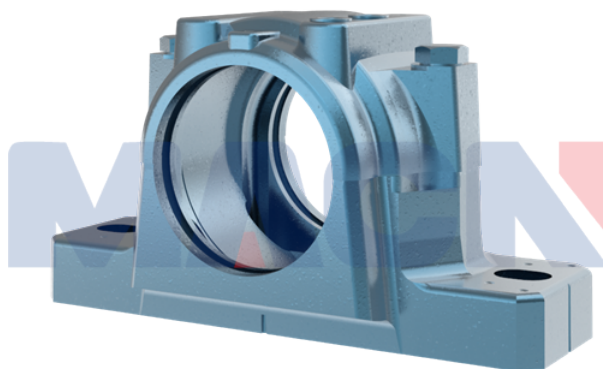
| | |
|---------|----|
| C_a : | 41 |
| D_a : | 90 |

Total width of the attached seal

| | |
|---------|-----|
| A_2 : | 102 |
| A_3 : | 167 |

Applicable bearings and related parts

| | |
|--------------------------|---|
| Automatic centering ball | - |
|--------------------------|---|



bearing

spherical roller bearing:

Positioning rings

2 per bearing seat -

:

Automatic centering ball

bearing

spherical roller bearing -

CARB bearing:

Positioning rings

2 per bearing seat -

: