

Model: ASNH510-608

diameter of axle

d_a : 40

bearing block

A: 85
 A₁: 60
 H: 108
 H₁: 60
 H₂: 25
 J: 170
 L: 205
 N: 20
 N₁: 15
 G: 12
 quality: 2.75

model

Bearing seat with seals
 on both sides: SNL208T
 A
 Component
 bearing seat: SNL208-
 307
 seal components: TSN208A
 end cap: ASNH510
 -608

diameter of axle

d_a :

d_b :

Hole

C_a :

D_a :

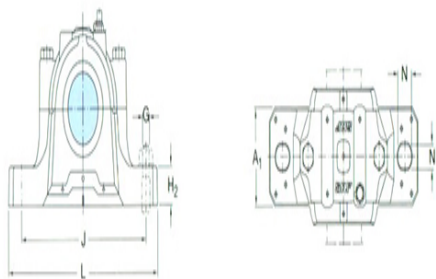
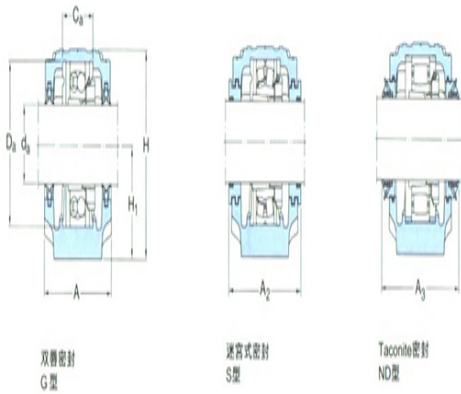
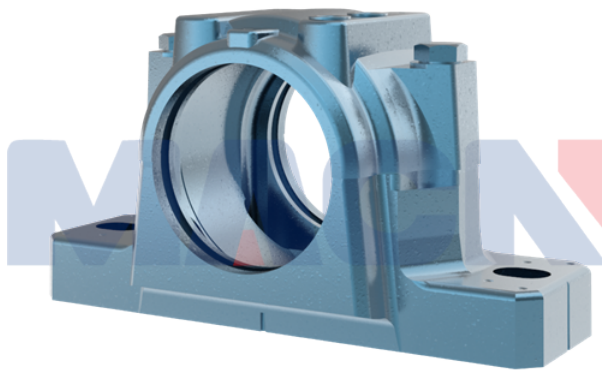
Total width of the attached seal

A₂:

A₃:

Applicable bearings and related
 parts

Automatic centering ball



bearing

spherical roller bearing:

Positioning rings

2 per bearing seat

:

Automatic centering ball

bearing

spherical roller bearing

CARB bearing:

Positioning rings

2 per bearing seat

: