

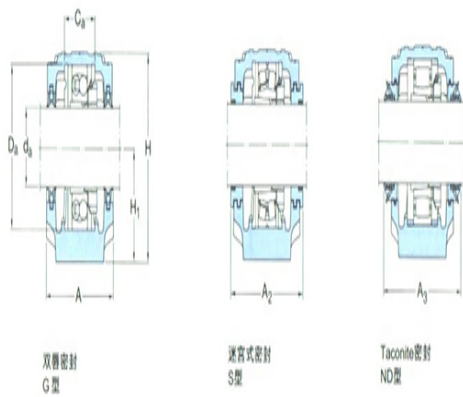
Model: ASNH510-608

diameter of axle

d_a :	40
---------	----

bearing block

A:	85
A_1 :	60
H:	108
H_1 :	60
H_2 :	25
J:	170
L:	205
N:	20
N_1 :	15
G:	12
quality:	2.75



双唇密封
G型

混合式密封
S型

Taconite密封
ND型

model

Bearing seat with seals on both sides:	SNL208TN D
Component bearing seat:	SNL208- 307
seal components:	TSN208ND
end cap:	ASNH510- 608

diameter of axle

d_a :	
d_b :	

Hole

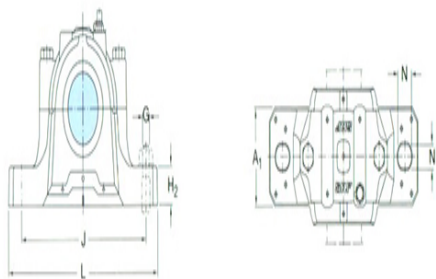
C_a :	
D_a :	

Total width of the attached seal

A_2 :	
A_3 :	

Applicable bearings and related parts

Automatic centering



ball bearing
spherical roller
bearing:

Positioning rings
2 per bearing seat
:

Automatic centering
ball bearing
spherical roller bearing
CARB bearing:

Positioning rings
2 per bearing seat
: