

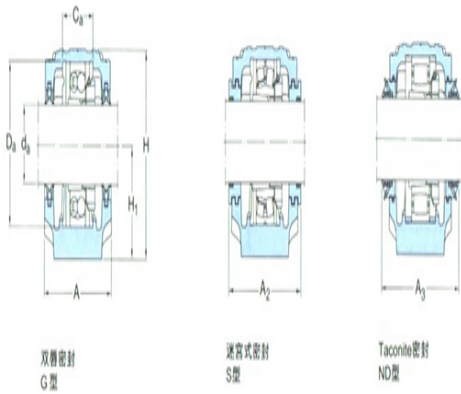
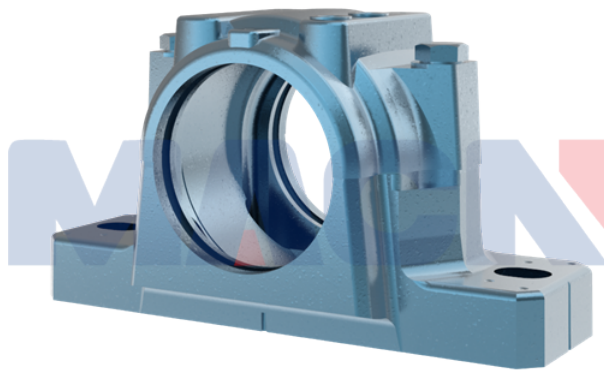
**Model: ASNH510-608**

diameter of axle

$d_a$ :	40
---------	----

bearing block

A:	90
$A_1$ :	60
H:	113
$H_1$ :	60
$H_2$ :	25
J:	170
L:	205
N:	20
$N_1$ :	15
G:	12
quality:	3.2



双唇密封  
G型

液压式密封  
S型

Taconite密封  
ND型

model

Bearing seat with seals on both sides:	SNL308TN D
Component bearing seat:	SNL510-608
seal components:	TSN308ND
end cap:	ASNH510-608

diameter of axle

$d_a$ :	
$d_b$ :	

Hole

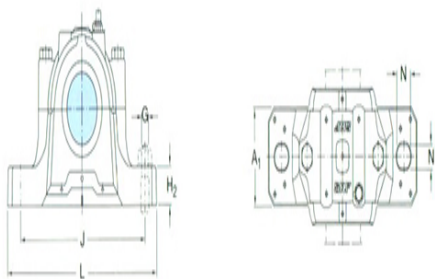
$C_a$ :	
$D_a$ :	

Total width of the attached seal

$A_2$ :	
$A_3$ :	

Applicable bearings and related parts

Automatic centering
---------------------



ball bearing  
spherical roller  
bearing:

Positioning rings  
2 per bearing seat  
:

Automatic centering  
ball bearing  
spherical roller bearing  
CARB bearing:

Positioning rings  
2 per bearing seat  
: