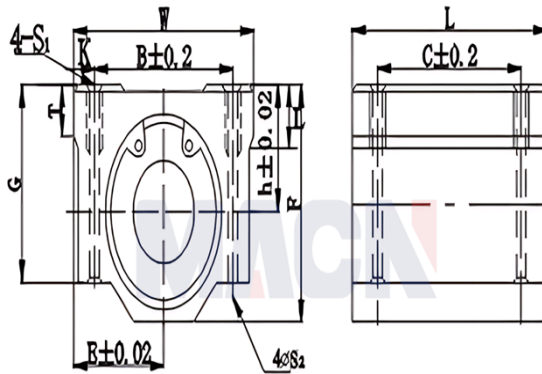


Model: SMA12GUU

Param

model:	SMA12GUU
diameter of axle:	12
h:	15
E:	21
W:	42
L:	36
F:	29
G:	25
T:	8
B:	30.5
C:	26
K:	5.75
S1:	M5
S2:	4.3
t:	12
Sliding bushing model:	SM12GUU
live load C:	42.000001994893
dead load Co:	61.000002897344
	5
weight:	102.5



SMA...G

SMA...GUU