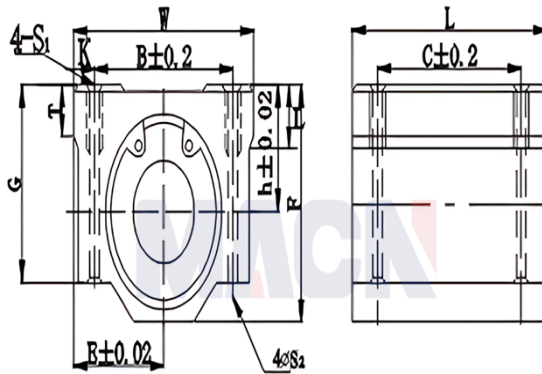


Model: SMA16GUU

Param

model:	SMA16GUU
diameter of axle:	16
h:	19
E:	25
W:	50
L:	44
F:	38.5
G:	32.5
T:	9
B:	36
C:	34
K:	7
S1:	M5
S2:	4.3
t:	12
Sliding bushing model:	SM16GUU
live load C:	79.000003752298
	7
dead load Co:	120.00000569969
	4
weight:	200



SMA...G

SMA...GUU