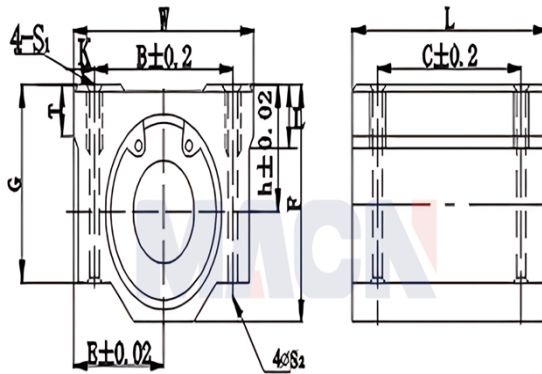


Model: SMA30GUU

Param

model:	SMA30GUU
diameter of axle:	30
h:	30
E:	39
W:	78
L:	72
F:	59.5
G:	49
T:	15
B:	58
C:	58
K:	10
S1:	M8
S2:	7
t:	18
Sliding bushing model:	SM30GUU
live load C:	160.00000759959 2
dead load Co:	280.00001329928 6
weight:	735



SMA...G

SMA...GUU