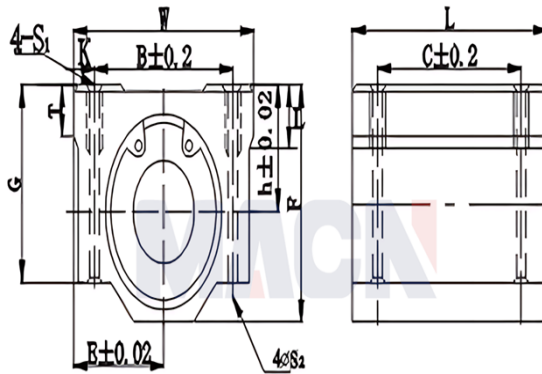


Model: SMA35GUU



SMA...G

SMA...GUU

Param

model:	SMA35GUU
diameter of axle:	35
h:	34
E:	45
W:	90
L:	80
F:	68
G:	54
T:	18
B:	70
C:	60
K:	10
S1:	M8
S2:	7
t:	18
Sliding bushing model:	SM35GUU
live load C:	170.00000807456 7
dead load Co:	320.00001519918 4
weight:	1100