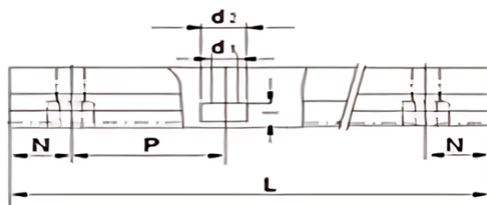
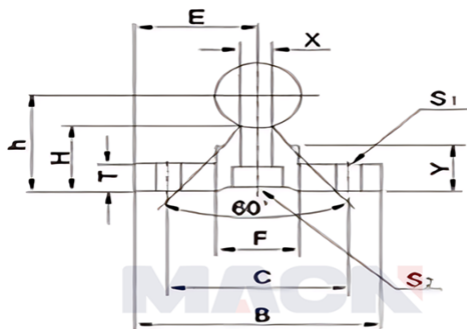
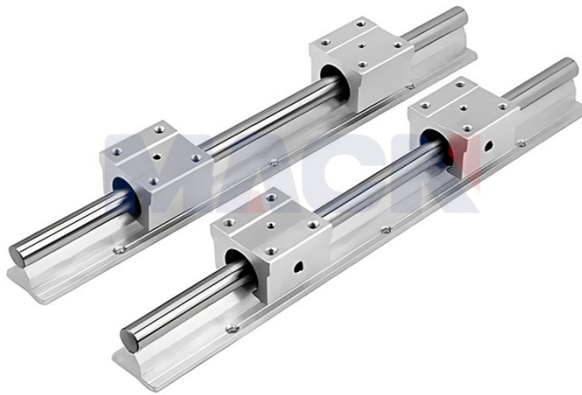


Model: SBR25X450

Param



model:	SBR25X450
	0
Axial diameter size:	φ25
E:	27.5
h:	33
B:	55
H:	21
T:	6
F:	21.5
X:	8
Y:	12
C:	35
S1:	φ6.6
S2:	6.6×11×6.6
	6
Guide rail support standard length L:	450
N:	25
P:	200
Maximum length of the guide rail support:	1850
weight:	1.5