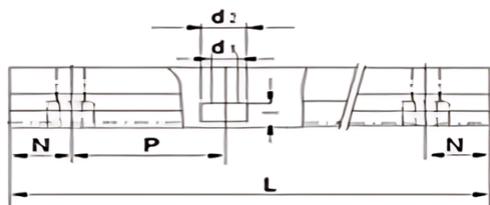
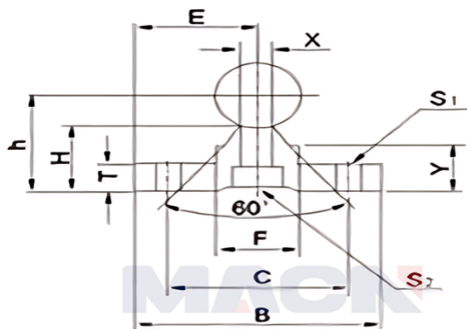


Model: SBR40X1060

Param



model:	SBR40X1060
	0
Axial diameter size:	φ40
E:	37.5
h:	48
B:	75
H:	29.5
T:	9
F:	38
X:	15.5
Y:	17
C:	55
S1:	φ9
S2:	9×14×8.6
Guide rail support standard length L:	1060
N:	30
P:	200
Maximum length of the guide rail support:	1860
weight:	3.25