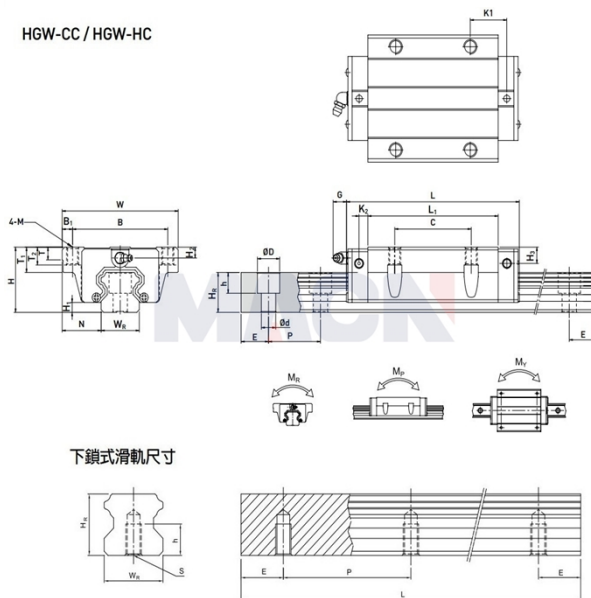




HGW-CC / HGW-HC



Model: HGW55CC

Param

Guide rail model:	HGW55CC
Slider special processing:	无
Number type of slider:	单个
Guide rail fixation mode:	上锁式
Guide rail length L:	900
L computational formula:	$L=(n-1) \times P+2 \times E$ n=1,2,3....
Special processing of guide rail:	无
Pre-pressure grade:	无预压(ZO)
accuracy class:	普通(C)
dustproof equipped with grade:	标准防尘配备
Dust equipped with:	标准(刮油片+防尘片)
Special selection:	无
RC reinforced bolt cover:	无
Component size:	
H:	70
H1:	13
N:	43.5
Slider size:	
W:	140
B:	116
B1:	12
C:	95
L:	166.7
L1:	117.7

K1:	17.35
K2:	11
G:	12.9
M:	M14
T:	17.5
T1:	26.5
T2:	17
H2:	12
H3:	19

Guide track
size:

WR:	53
HR:	44
D:	23
h:	20
d:	16
P:	120

Standard end
distance E:

30

Actual end
distance:

30

Number of bolt
holes n:

8

Guide rail fixed
bolt:

M14x45

Rated dynamic
load C:

114.44

Rated static
load Co:

148.33

Rated static
moment MR:

3.69

Rated static
moment, MP:

2.64

Rated static
moment, MY:

2.64

Slider weight:

4.52

Guide rail
weight:

15.08