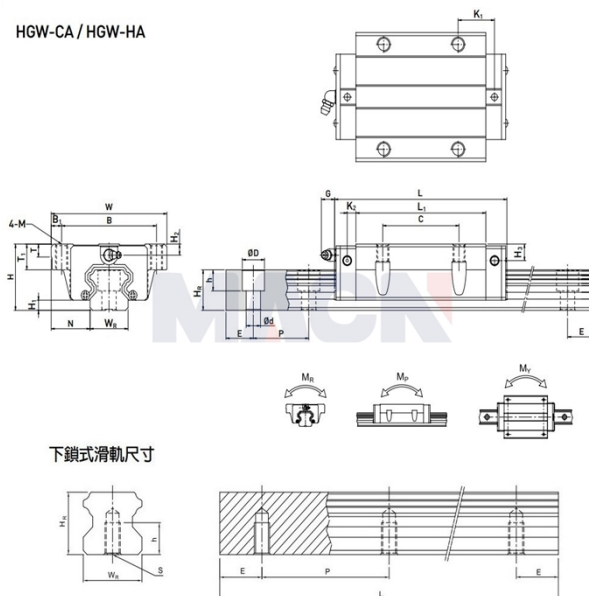




HGW-CA / HGW-HA



Model: HGW55CA

Param

| | |
|-----------------------------------|--|
| Guide rail model: | HGW55CA |
| Slider special processing: | 无 |
| Number type of slider: | 单个 |
| Guide rail fixation mode: | 上锁式 |
| Guide rail length L: | 900 |
| L computational formula: | $L=(n-1) \times P+2 \times E$ n=1,2,3.... |
| Special processing of guide rail: | 无 |
| Pre-pressure grade: | 无预压(ZO) |
| accuracy class: | 普通(C) |
| dustproof equipped with grade: | 标准防尘配备 |
| Dust equipped with: | 标准(刮油片+防尘片) |
| Special selection: | 无 |
| RC reinforced bolt cover: | 无 |
| Component size: | |
| H: | 70 |
| H1: | 13 |
| N: | 43.5 |
| Slider size: | |
| W: | 140 |
| B: | 116 |
| B1: | 12 |
| C: | 95 |
| L: | 166.7 |
| L1: | 117.7 |

| | |
|-----------------------------|--------|
| K1: | 17.35 |
| K2: | 11 |
| G: | 12.9 |
| M: | M14 |
| T: | 17.5 |
| T1: | 26.5 |
| H2: | 12 |
| H3: | 19 |
| Guide track size: | |
| WR: | 53 |
| HR: | 44 |
| D: | 23 |
| h: | 20 |
| d: | 16 |
| P: | 120 |
| Standard end distance E: | 30 |
| Actual end distance: | 30 |
| Number of bolt holes n: | 8 |
| Guide rail fixed bolt: | M14x45 |
| Rated dynamic load C: | 114.44 |
| Rated static load Co: | 148.33 |
| Rated static moment MR: | 3.69 |
| Rated static moment, MP: | 2.64 |
| Rated static moment, MY: | 2.64 |
| Slider weight: | 4.52 |
| Guide rail weight: | 15.08 |