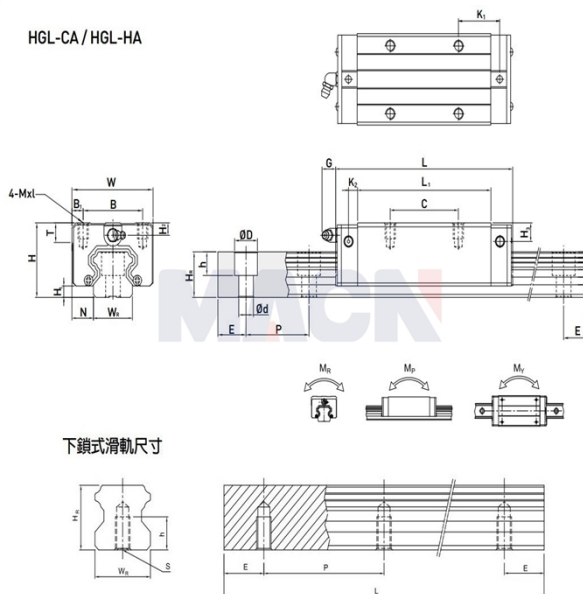


HGL-CA / HGL-HA



下鎖式滑軌尺寸

## Model: HGL45HA

### Param

Guide rail model:	HGL45HA
Slider special processing:	无
Number type of slider:	单个
Guide rail fixation mode:	上锁式
Guide rail length L:	780
L computational formula:	$L=(n-1) \times P+2 \times E$ n=1,2,3....
Special processing of guide rail:	无
Pre-pressure grade:	无预压(ZO)
accuracy class:	普通(C)
dustproof equipped with grade:	标准防尘配备
Dust equipped with:	标准(刮油片+防尘片)
Special selection:	无
RC reinforced bolt cover:	无
Component size:	
H:	60
H1:	9.5
N:	20.5
Slider size:	
W:	86
B:	60
B1:	13
C:	80
L:	171.2
L1:	128.8

K1:	28.9
K2:	10
G:	12.9
MxL:	M10x17
T:	16
H2:	8.5
H3:	20.5
Guide track size:	
WR:	45
HR:	38
D:	20
h:	17
d:	14
P:	105
Standard end distance E:	22.5
Actual end distance:	22.5
Number of bolt holes n:	8
Guide rail fixed bolt:	M12x35
Rated dynamic load C:	94.54
Rated static load Co:	136.46
Rated static moment MR:	2.63
Rated static moment, MP:	2.68
Rated static moment, MY:	2.68
Slider weight:	2.75
Guide rail weight:	10.41