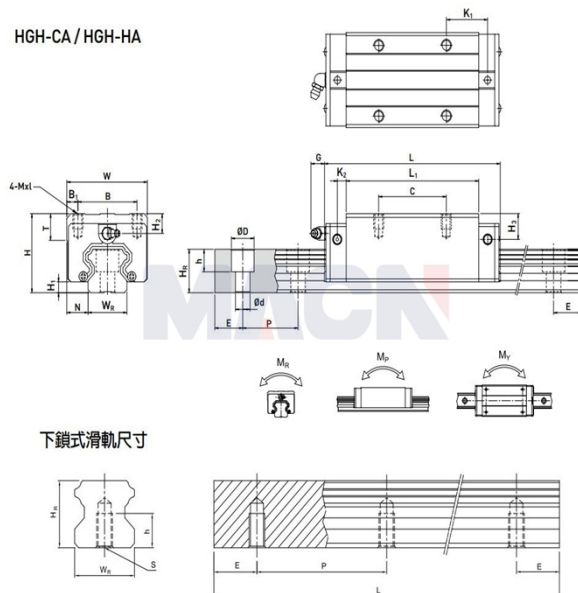


HGH-CA / HGH-HA



## Model: HGH15CA

### Param

|                                   |  |
|-----------------------------------|--|
| Guide rail model:                 | HGH15CA                                      |
| Slider special processing:        | 无  |
| Number type of slider:            | 单个   |
| Guide rail fixation mode:         | 上锁式  |
| Guide rail length L:              | 340  |
| L computational formula:          | $L=(n-1) \times P+2 \times E$<br>n=1,2,3.... |
| Special processing of guide rail: | 无  |
| Pre-pressure grade:               | 无预压(ZO)                                      |
| accuracy class:                   | 普通(C)  |
| dustproof equipped with grade:    | 标准防尘配备                                       |
| Dust equipped with:               | 标准(刮油片+防尘片)                                  |
| Special selection:                | 无  |
| RC reinforced bolt cover:         | 无  |
| Component size:                   |  |
| H:                                | 28   |
| H1:                               | 4.3  |
| N:                                | 9.5  |
| Slider size:                      |  |
| W:                                | 34   |
| B:                                | 26   |
| B1:                               | 4  |
| C:                                | 26   |
| L:                                | 61.4   |
| L1:                               | 39.4   |

|                             |       |
|-----------------------------|-------|
| K1:                         | 10    |
| K2:                         | 4.85  |
| G:                          | 5.3   |
| MxL:                        | M4x5  |
| T:                          | 6     |
| H2:                         | 7.95  |
| H3:                         | 7.7   |
| Guide track<br>size:        |       |
| WR:                         | 15    |
| HR:                         | 15    |
| D:                          | 7.5   |
| h:                          | 5.3   |
| d:                          | 4.5   |
| P:                          | 60    |
| Standard end<br>distance E: | 20    |
| Actual end<br>distance:     | 20    |
| Number of bolt<br>holes n:  | 6     |
| Guide rail fixed<br>bolt:   | M4x16 |
| Rated dynamic<br>load C:    | 11.38 |
| Rated static<br>load Co:    | 16.97 |
| Rated static<br>moment MR:  | 0.12  |
| Rated static<br>moment, MP: | 0.10  |
| Rated static<br>moment, MY: | 0.10  |
| Slider weight:              | 0.18  |
| Guide rail<br>weight:       | 1.45  |