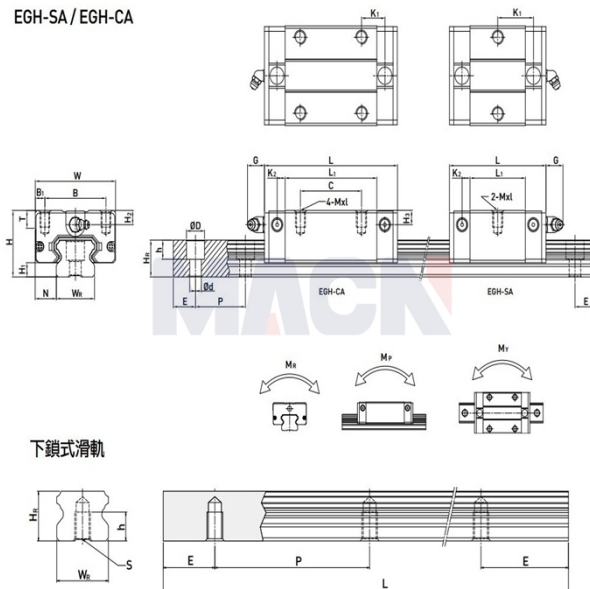


EGH-SA / EGH-CA



## Model: EGH25CA

### Param

Guide rail model:	EGH25CA
Slider special processing:	无
Number type of slider:	单个
Guide rail fixation mode:	上锁式
Guide rail length L:	340
L computational formula:	$L=(n-1) \times P+2 \times E$ $n=1,2,3 \dots$
Special processing of guide rail:	无
Pre-pressure grade:	无预压(ZO)
accuracy class:	普通(C)
dustproof equipped with grade:	标准防尘配备
Dust equipped with:	标准(刮油片+防尘片)
Special selection:	无
RC reinforced bolt cover:	无
Component size:	
H:	33
H1:	7
N:	12.5
Slider size:	
W:	48
B:	35
B1:	6.5
C:	35
L:	82.6
L1:	59

K1:	16.15
K2:	4.55
G:	12
MxL:	M6x9
T:	8
H2:	8
H3:	8
Guide track size:	
WR:	23
HR:	18
D:	11
h:	9
d:	7
P:	60
Standard end distance E:	20
Actual end distance:	20
Number of bolt holes n:	6
Guide rail fixed bolt:	M6x20
Rated dynamic load C:	16.27
Rated static load Co:	32.40
Rated static moment MR:	0.38
Rated static moment, MP:	0.32
Rated static moment, MY:	0.32
Slider weight:	0.41
Guide rail weight:	2.67