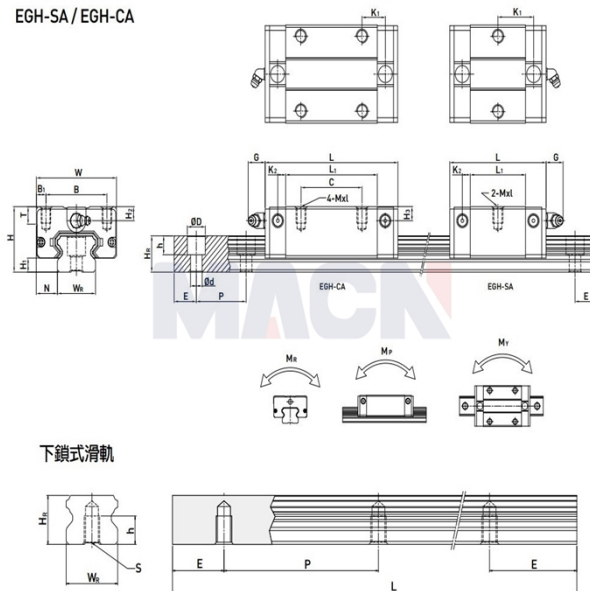




EGH-SA / EGH-CA



## Model: EGH15SA

### Param

Guide rail model:	EGH15SA
Slider special processing:	无
Number type of slider:	单个
Guide rail fixation mode:	上锁式
Guide rail length L:	340
L computational formula:	$L=(n-1) \times P+2 \times E$ $n=1,2,3 \dots$
Special processing of guide rail:	无
Pre-pressure grade:	无预压(ZO)
accuracy class:	普通(C)
dustproof equipped with grade:	标准防尘配备
Dust equipped with:	标准(刮油片+防尘片)
Special selection:	无
RC reinforced bolt cover:	无
Component size:	
H:	24
H1:	4.5
N:	9.5
Slider size:	
W:	34
B:	26
B1:	4
C:	-
L:	40.1
L1:	23.1

K1:	14.8
K2:	3.5
G:	5.7
MxL:	M4x6
T:	6
H2:	5.5
H3:	6
Guide track size:	
WR:	15
HR:	12.5
D:	6
h:	4.5
d:	3.5
P:	60
Standard end distance E:	20
Actual end distance:	20
Number of bolt holes n:	6
Guide rail fixed bolt:	M3x16
Rated dynamic load C:	5.35
Rated static load Co:	9.40
Rated static moment MR:	0.08
Rated static moment, MP:	0.04
Rated static moment, MY:	0.04
Slider weight:	0.09
Guide rail weight:	1.25