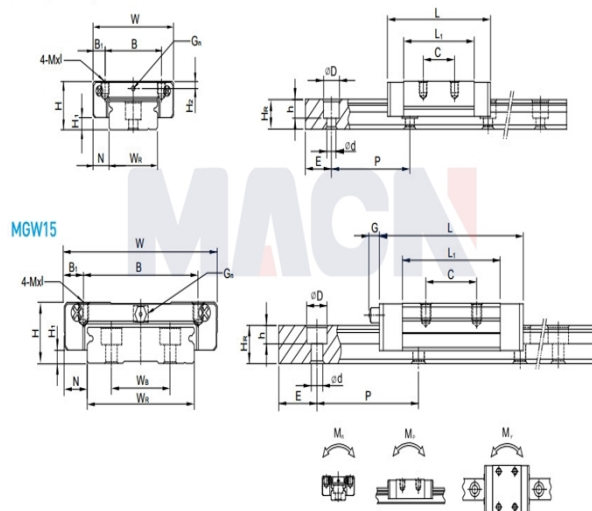




MGW-C / MGW-H

MGW7, MGW9, MGW12



Model: MGW12C

Param

Guide rail model:	MGW12C
Slider special processing:	无
Number type of slider:	单个
Guide rail length L:	270
L computational formula:	$L=(n-1) \times P+2 \times E$ n=1,2,3....
Special processing of guide rail:	无
Pre-pressure grade:	普通间隙(ZF)
accuracy class:	普通(C)
Guide track material:	普通钢
dustproof equipped with grade:	标准防尘配备
Dust equipped with:	标准(刮油片)
RC reinforced bolt cover:	无
Component size:	
H:	14
H1:	3.4
N:	8
Slider size:	
W:	40
B:	28
B1:	6
C:	15
L1:	31.3
L:	46.1
G:	-
Gn:	φ 1.2
MxL:	M3x3.6

H2:	2.8
Guide track size:	
WR:	24
WB:	-
HR:	8.5
D:	8
h:	4.5
d:	4.5
P:	40
Standard end distance E:	15
Actual end distance:	15
Number of bolt holes n:	7
Guide rail fixed bolt:	M4x8
Rated dynamic load C:	3.92
Rated static load Co:	5.59
Rated static moment MR:	70.34
Rated static moment, MP:	27.80
Rated static moment, MY:	27.80
Slider weight:	0.071
Guide rail weight:	1.49