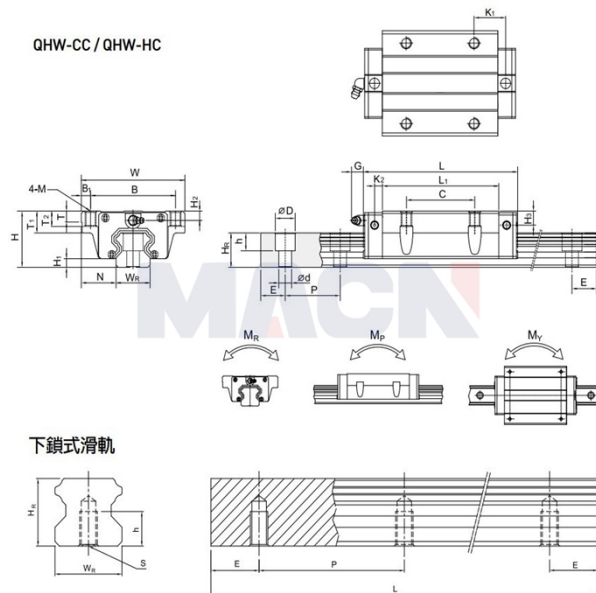


QHW-CC / QHW-HC



下鎖式滑軌

## Model: QHW35CC

### Param

Guide rail model:	QHW35CC
Slider special processing:	无
Number type of slider:	单个
Guide rail fixation mode:	上锁式
Guide rail length L:	440
L computational formula:	$L=(n-1) \times P+2 \times E$ $n=1,2,3, \dots$
Special processing of guide rail:	无
Pre-pressure grade:	无预压(ZO)
accuracy class:	普通(C)
dustproof equipped with grade:	标准防尘配备
Dust equipped with:	标准(刮油片+防尘片)
Special selection:	无
RC reinforced bolt cover:	无
Component size:	
H:	48
H1:	7.5
N:	33
Slider size:	
W:	100
B:	82
B1:	9
C:	62
L:	113.6
L1:	80

K1:	13
K2:	7.5
G:	12
M:	M10
T:	10.1
T1:	18
T2:	13
H2:	8.5
H3:	6.5
Guide track size:	
WR:	34
HR:	29
D:	14
h:	12
d:	9
P:	80
Standard end distance E:	20
Actual end distance:	20
Number of bolt holes n:	6
Guide rail fixed bolt:	M8x25
Rated dynamic load C:	60.52
Rated static load Co:	63.84
Rated static moment MR:	1.07
Rated static moment, MP:	0.76
Rated static moment, MY:	0.76
Slider weight:	1.56
Guide rail weight:	6.30