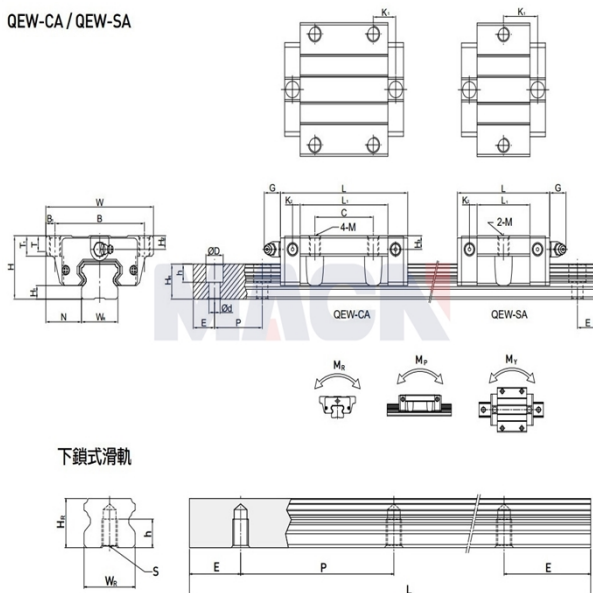


QEW-CA / QEW-SA



Model: QEW20SA

Param

Guide rail model:	QEW20SA
Slider special processing:	无
Number type of slider:	单个
Guide rail fixation mode:	上锁式
Guide rail length L:	340
L computational formula:	$L=(n-1) \times P+2 \times E$ n=1,2,3....
Special processing of guide rail:	无
Pre-pressure grade:	无预压(ZO)
accuracy class:	普通(C)
dustproof equipped with grade:	标准防尘配备
Dust equipped with:	标准(刮油片+防尘片)
RC reinforced bolt cover:	无
Component size:	
H:	28
H1:	6
N:	19.5
Slider size:	
W:	59
B:	49
B1:	5
C:	-
L:	50
L1:	29
K1:	18.75

K2:	4.15
G:	12
M:	M6
T:	7
T1:	9
H2:	6
H3:	6.5
Guide track size:	
WR:	20
HR:	15.5
D:	9.5
h:	8.5
d:	6
P:	60
Standard end distance E:	20
Actual end distance:	20
Number of bolt holes n:	6
Guide rail fixed bolt:	M5x16
Rated dynamic load C:	11.57
Rated static load Co:	12.18
Rated static moment MR:	0.13
Rated static moment, MP:	0.05
Rated static moment, MY:	0.05
Slider weight:	0.19
Guide rail weight:	2.08