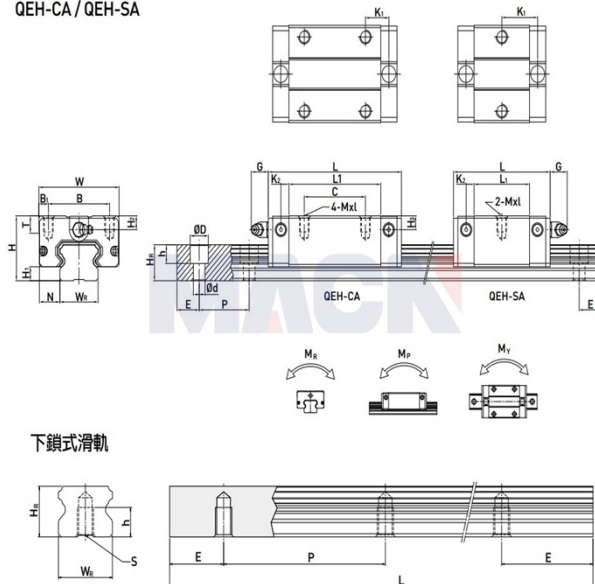


QEH-CA / QEH-SA



Model: QEH20SA

Param

| | |
|-----------------------------------|--|
| Guide rail model: | QEH20SA |
| Slider special processing: | 无 |
| Number type of slider: | 单个 |
| Guide rail fixation mode: | 上锁式 |
| Guide rail length L: | 340 |
| L computational formula: | $L=(n-1) \times P+2 \times E$ n=1,2,3.... |
| Special processing of guide rail: | 无 |
| Pre-pressure grade: | 无预压(ZO) |
| accuracy class: | 普通(C) |
| dustproof equipped with grade: | 标准防尘配备 |
| Dust equipped with: | 标准(刮油片+防尘片) |
| RC reinforced bolt cover: | 无 |
| Component size: | |
| H: | 28 |
| H1: | 6 |
| N: | 11 |
| Slider size: | |
| W: | 42 |
| B: | 32 |
| B1: | 5 |
| C: | - |
| L: | 50 |
| L1: | 29 |
| K1: | 18.75 |

| | |
|-----------------------------|-------|
| K2: | 4.15 |
| G: | 12 |
| MxL: | M5x7 |
| T: | 7.5 |
| H2: | 6 |
| H3: | 6.5 |
| Guide track size: | |
| WR: | 20 |
| HR: | 15.5 |
| D: | 9.5 |
| h: | 8.5 |
| d: | 6 |
| P: | 60 |
| Standard end distance E: | 20 |
| Actual end distance: | 20 |
| Number of bolt holes n: | 6 |
| Guide rail fixed bolt: | M5x16 |
| Rated dynamic load C: | 11.57 |
| Rated static load Co: | 12.18 |
| Rated static moment MR: | 0.13 |
| Rated static moment, MP: | 0.05 |
| Rated static moment, MY: | 0.05 |
| Slider weight: | 0.15 |
| Guide rail weight: | 2.08 |