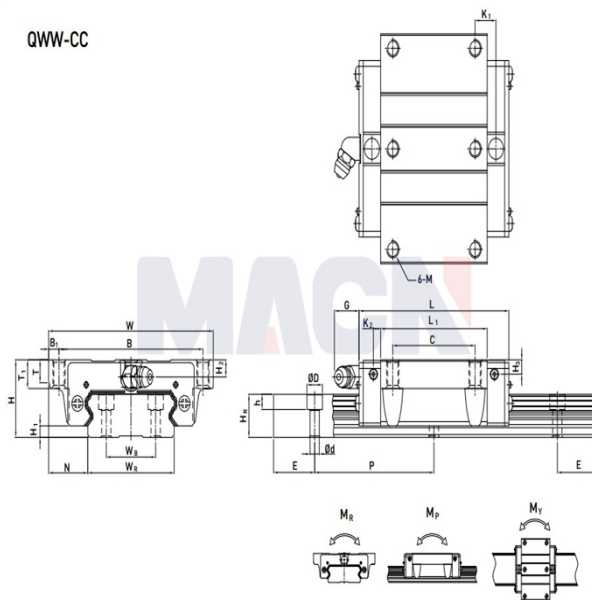


QWW-CC



Model: QWW27CC

Param

Guide rail model:	QWW27CC
Slider special processing:	无
Number type of slider:	单个
Guide rail length L:	340
L computational formula:	$L=(n-1) \times P+2 \times E$ n=1,2,3....
Special processing of guide rail:	无
Pre-pressure grade:	无预压(ZO)
accuracy class:	普通(C)
dustproof equipped with grade:	标准防尘配备
Dust equipped with:	标准(刮油片+防尘片)
RC reinforced bolt cover:	无
Component size:	
H:	27
H1:	4
N:	19
Slider size:	
W:	80
B:	70
B1:	5
C:	40
L1:	56.6
L:	73.2
K1:	15.45
K2:	3.15
G:	12

M:	M6
T:	8
T1:	10
H2:	6
H3:	5
Guide track size:	
WR:	42
WB:	24
HR:	15
D:	7.5
h:	5.3
d:	4.5
P:	60
Standard end distance E:	20
Actual end distance:	20
Number of bolt holes n:	6
Guide rail fixed bolt:	M4x16
Rated dynamic load C:	16.00
Rated static load Co:	22.20
Rated static moment MR:	0.42
Rated static moment, MP:	0.20
Rated static moment, MY:	0.20
Slider weight:	0.43
Guide rail weight:	4.70