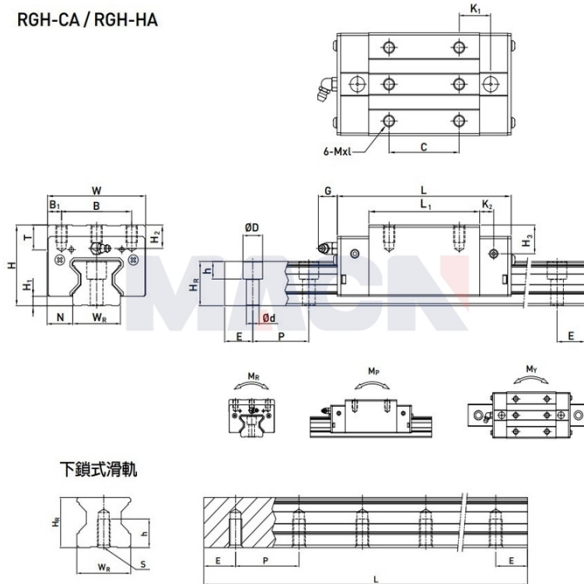


RGH-CA / RGH-HA



下鎖式滑軌

Model: RGH65HA

Param

Guide rail model:	RGH65HA
Slider special processing:	无
Number type of slider:	单个
Guide rail fixation mode:	上锁式
Guide rail length L:	1270
L computational formula:	$L=(n-1) \times P+2 \times E$ n=1,2,3....
Special processing of guide rail:	无
Pre-pressure grade:	无预压(ZO)
accuracy class:	高(H)
dustproof equipped with grade:	标准防尘配备
Dust equipped with:	标准(刮油片+防尘片)
Special selection:	无
RC reinforced bolt cover:	无
Component size:	
H:	90
H1:	12
N:	31.5
Slider size:	
W:	126
B:	76
B1:	25
C:	120
L:	295
L1:	223

K1:	67.3
K2:	15.8
G:	12.9
MxL:	M16x20
T:	25
H2:	15
H3:	15
Guide track size:	
WR:	63
HR:	53
D:	26
h:	22
d:	18
P:	75
Standard end distance E:	35
Actual end distance:	35
Number of bolt holes n:	17
Guide rail fixed bolt:	M16x50
Rated dynamic load C:	275.30
Rated static load Co:	572.70
Rated static moment MR:	22.55
Rated static moment, MP:	22.17
Rated static moment, MY:	22.17
Slider weight:	12.13
Guide rail weight:	20.22