

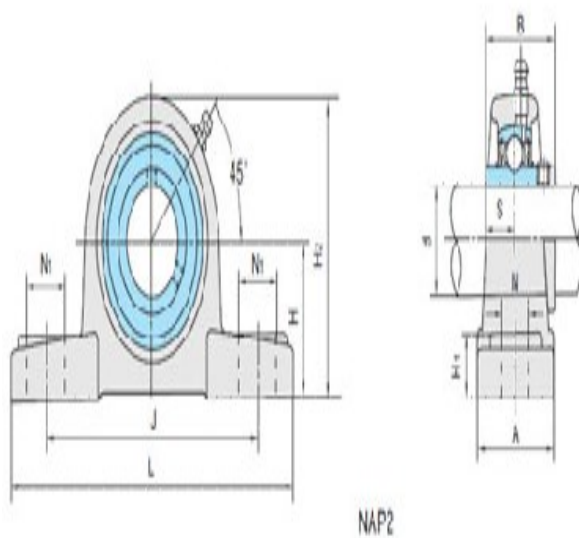
Model: UCP217-52

Shaft Dia.

d (in.):	23/4
d (mm):	

Dimensions(mm)(inch)

H:	3.7480
L:	12.205
J:	9.7244
A:	3.2677
N:	0.9842
N1:	1.1811
H1:	1.2598
H2:	7.3622
S:	1.3425
B:	3.3740



Unit No.

Unit No.:	UCP217-52
-----------	-----------

Bolt Used (mm) (in.)

Bolt Used (mm) (in.):	3/4
-----------------------	-----

Bearing No.

Bearing No.:	UC217-52
--------------	----------

Housing No.

Housing No.:	
--------------	--

Weight(kg)(lb)

Weight(kg)(lb):	24.8
-----------------	------