

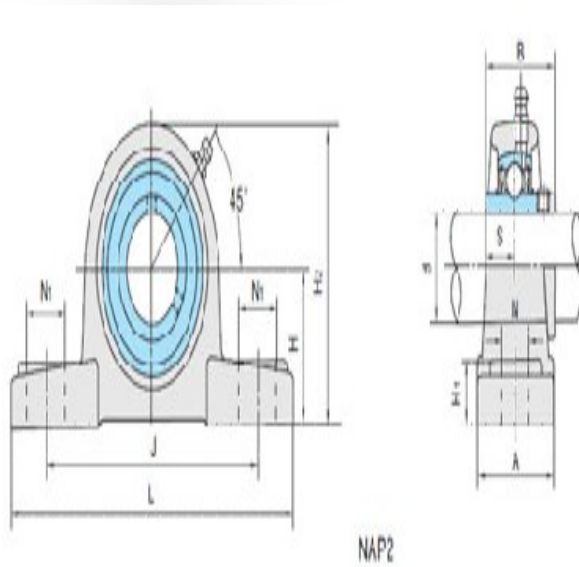
Model: UCP214

Shaft Dia.

d (in.):	
d (mm):	70

Dimensions(mm)(inch)

H:	79.4
L:	266
J:	210
A:	72
N:	25
N1:	30
H1:	27
H2:	157
S:	30.2
B:	74.6



Unit No.

Unit No.:	UCP214
-----------	--------

Bolt Used (mm) (in.)

Bolt Used (mm) (in.):	M20
-----------------------	-----

Bearing No.

Bearing No.:	UC214
--------------	-------

Housing No.

Housing No.:	P214
--------------	------

Weight(kg)(lb)

Weight(kg)(lb):	6.90
-----------------	------