

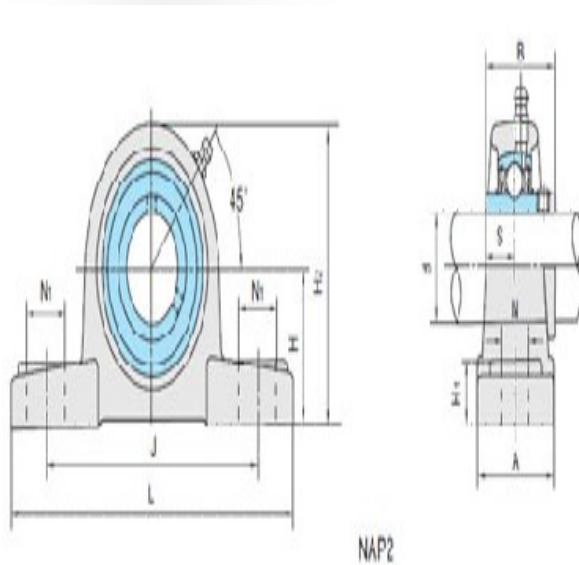
Model: UCP209-27

Shaft Dia.

d (in.):	111/16
d (mm):	

Dimensions(mm)(inch)

H:	2.1260
L:	7.4803
J:	5.7480
A:	2.1260
N:	0.6693
N1:	0.8268
H1:	0.7874
H2:	4.1732
S:	0.7480
B:	1.9730



Unit No.

Unit No.:	UCP209-27
-----------	-----------

Bolt Used (mm) (in.)

Bolt Used (mm) (in.):	9/16
-----------------------	------

Bearing No.

Bearing No.:	UC209-27
--------------	----------

Housing No.

Housing No.:	
--------------	--

Weight(kg)(lb)

Weight(kg)(lb):	5.4
-----------------	-----