

Model: UCP208-25

Shaft Dia.

d (in.): 19/16

d (mm):

Dimensions(mm)(inch)

H: 1.9370

L: 7.2441

J: 5.3937

A: 2.1260

N: 0.6693

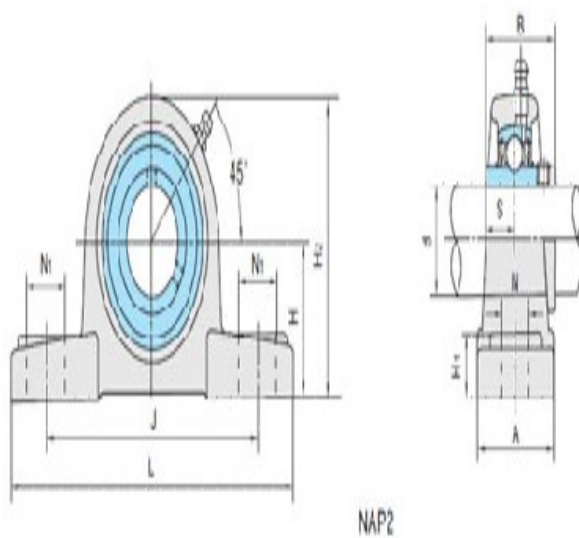
N1: 0.8268

H1: 0.7087

H2: 3.8583

S: 0.7480

B: 1.9370



Unit No.

Unit No.: UCP208-25

Bolt Used (mm) (in.)

Bolt Used (mm) (in.): 9/16

Bearing No.

Bearing No.: UC208-25

Housing No.

Housing No.:

Weight(kg)(lb)

Weight(kg)(lb):