

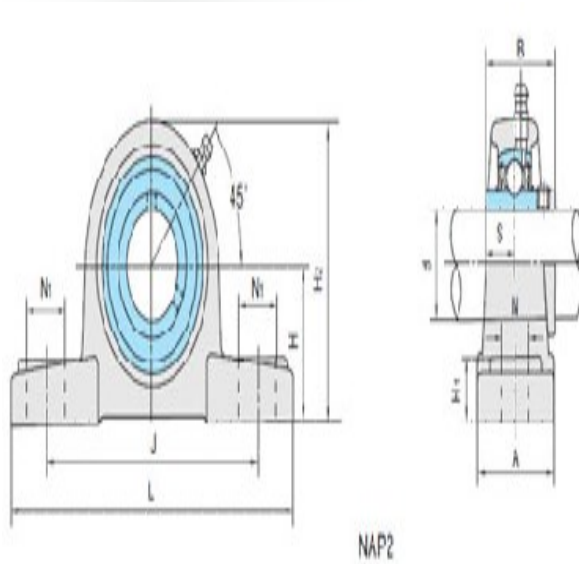
Model: UCP208-24

Shaft Dia.

d (in.):	1 1/2
d (mm):	

Dimensions(mm)(inch)

H:	1.9370
L:	7.2441
J:	5.3937
A:	2.1260
N:	0.6693
N1:	0.8268
H1:	0.7087
H2:	3.8583
S:	0.7480
B:	1.9370



Unit No.

Unit No.:	UCP208-24
-----------	-----------

Bolt Used (mm) (in.)

Bolt Used (mm) (in.):	9/16
-----------------------	------

Bearing No.

Bearing No.:	UC208-24
--------------	----------

Housing No.

Housing No.:	
--------------	--

Weight(kg)(lb)

Weight(kg)(lb):	4.7
-----------------	-----