

**Model: UCP207-23**

Shaft Dia.

d (in.): 17/16

d (mm):

Dimensions(mm)(inch)

H: 1.8740

L: 6.5748

J: 5.0000

A: 1.8898

N: 0.6693

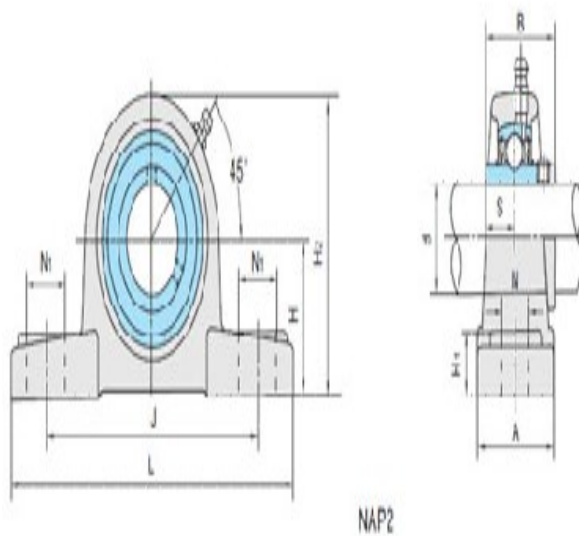
N1: 0.8268

H1: 0.7087

H2: 3.6614

S: 0.6890

B: 1.6890



Unit No.

Unit No.: UCP207-23

Bolt Used (mm) (in.)

Bolt Used (mm) (in.): 9/16

Bearing No.

Bearing No.: UC207-23

Housing No.

Housing No.:

Weight(kg)(lb)

Weight(kg)(lb):