

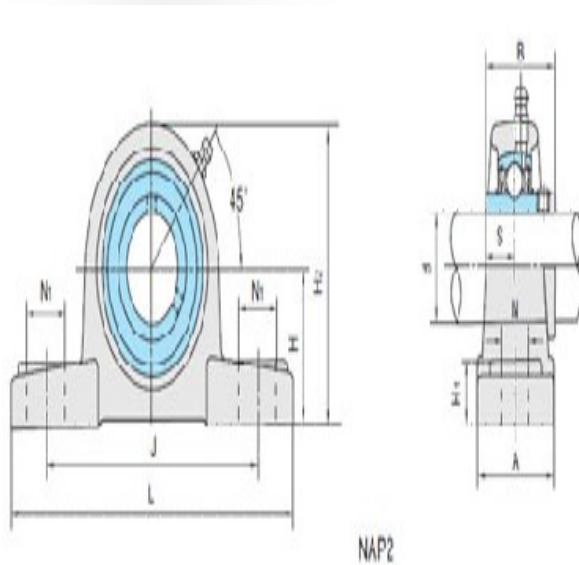
**Model: UCP207-20**

Shaft Dia.

d (in.):	1 1/4
d (mm):	

Dimensions(mm)(inch)

H:	1.8740
L:	6.5748
J:	5.0000
A:	1.8898
N:	0.6693
N1:	0.8268
H1:	0.7087
H2:	3.6614
S:	0.6890
B:	1.6890



Unit No.

Unit No.:	UCP207-20
-----------	-----------

Bolt Used (mm) (in.)

Bolt Used (mm) (in.):	9/16
-----------------------	------

Bearing No.

Bearing No.:	UC207-20
--------------	----------

Housing No.

Housing No.:	
--------------	--

Weight(kg)(lb)

Weight(kg)(lb):	
-----------------	--