

**Model: UCP206-19**

Shaft Dia.

d (in.): 13/16

d (mm):

Dimensions(mm)(inch)

H: 1.6890

L: 6.4961

J: 4.7638

A: 1.8898

N: 0.6693

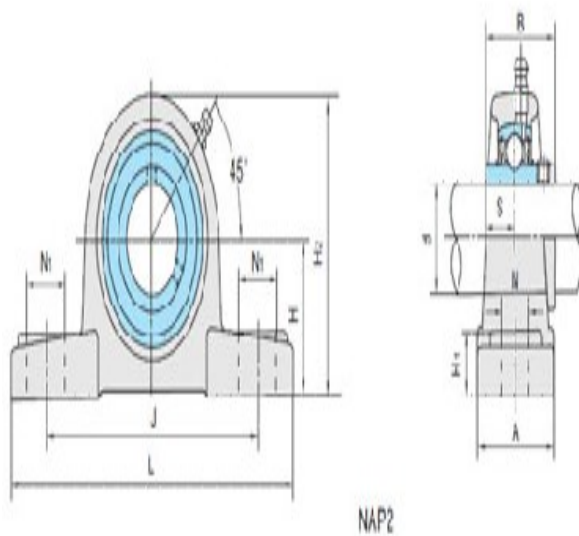
N1: 0.8268

H1: 0.6693

H2: 3.6277

S: 0.6260

B: 1.5000



Unit No.

Unit No.: UCP206-19

Bolt Used (mm) (in.)

Bolt Used (mm) (in.): 9/16

Bearing No.

Bearing No.: UC206-19

Housing No.

Housing No.:

Weight(kg)(lb)

Weight(kg)(lb): 2.9