

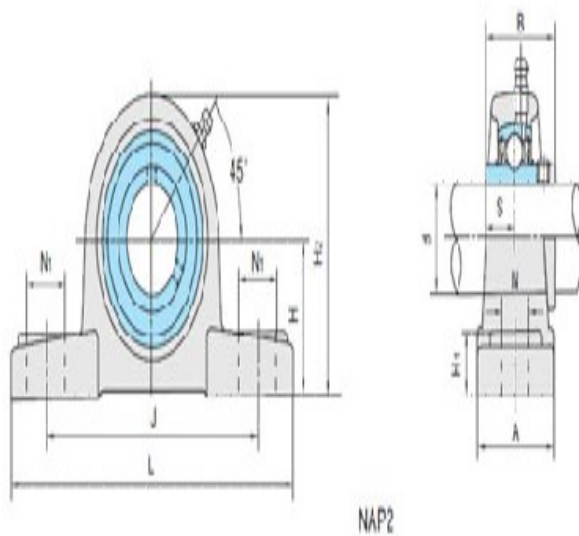
Model: UCP205-14

Shaft Dia.

d (in.):	7/8
d (mm):	

Dimensions(mm)(inch)

H:	1.4370
L:	5.5118
J:	4.1338
A:	1.4961
N:	0.5118
N1:	0.7480
H1:	0.5906
H2:	2.7953
S:	0.5630
B:	1.3425



Unit No.

Unit No.:	UCP205-14
-----------	-----------

Bolt Used (mm) (in.)

Bolt Used (mm) (in.):	3/8
-----------------------	-----

Bearing No.

Bearing No.:	UC205-14
--------------	----------

Housing No.

Housing No.:	
--------------	--

Weight(kg)(lb)

Weight(kg)(lb):	
-----------------	--