

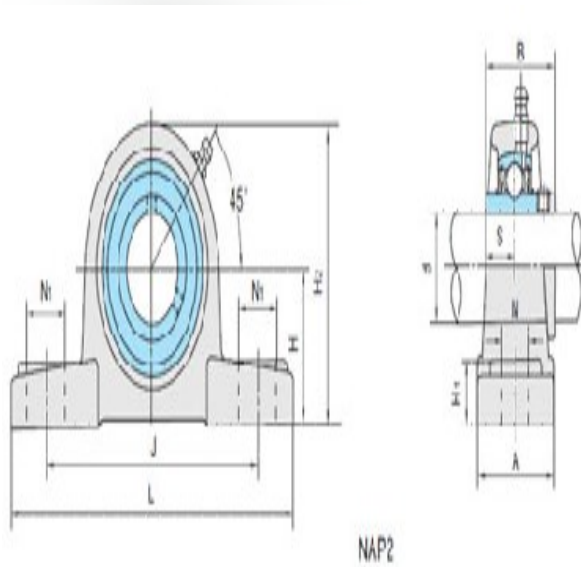
Model: UCP203-11

Shaft Dia.

d (in.):	11/16
d (mm):	

Dimensions(mm)(inch)

H:	1.3110
L:	5.0000
J:	3.7402
A:	1.4961
N:	0.5118
N1:	0.7480
H1:	0.5512
H2:	2.5590
S:	0.5000
B:	1.2205



Unit No.

Unit No.:	UCP203-11
-----------	-----------

Bolt Used (mm) (in.)

Bolt Used (mm) (in.):	3/8
-----------------------	-----

Bearing No.

Bearing No.:	UC203-11
--------------	----------

Housing No.

Housing No.:	
--------------	--

Weight(kg)(lb)

Weight(kg)(lb):	1.7
-----------------	-----