

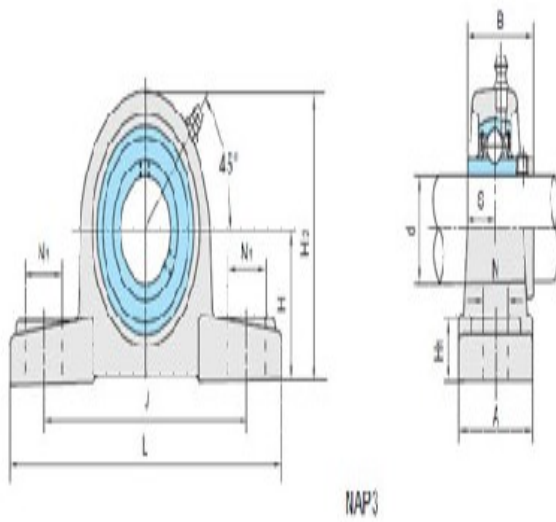
Model: UCP311-32

Shaft Dia.

d (in.):	2
d (mm):	

Dimensions(mm)(inch)

H:	3.1496
L:	12.205
J:	9.2913
A:	3.1496
N:	0.7874
N1:	1.4961
H1:	1.1811
H2:	6.0630
S:	0.9842
B:	2.5984



Unit No.

Unit No.:	UCP311-32
-----------	-----------

Bolt Used (mm) (in.)

Bolt Used (mm) (in.):	5/8
-----------------------	-----

Bearing No.

Bearing No.:	UC311-32
--------------	----------

Housing No.

Housing No.:	
--------------	--

Weight(kg)(lb)

Weight(kg)(lb):	
-----------------	--