

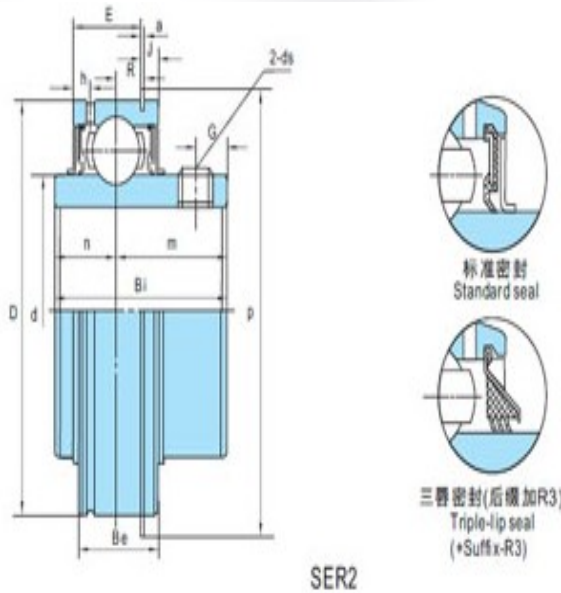
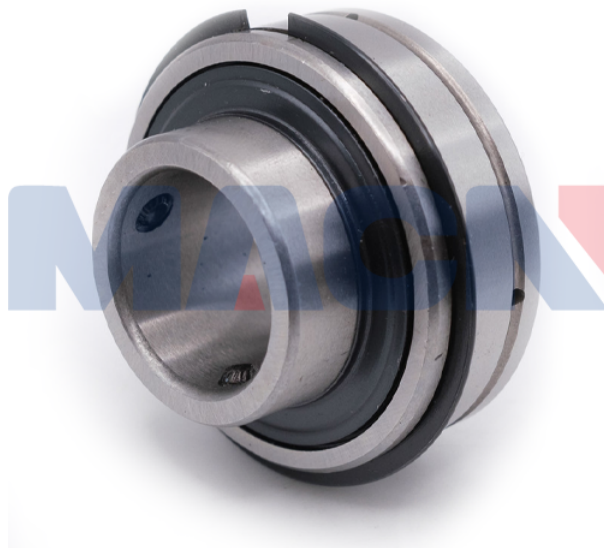
**Model: SER212-36**

Shaft Dia.

d (in.):	21/4
d (mm):	

Dimensions(mm)(inch)

D:	4.3307
Bi:	2.5630
Be:	1.2520
n:	1.0000
m:	1.5630
E:	1.0165
a:	0.0949
h:	0.2952
R:	0.3905
J:	0.1291
P:	4.5905
G:	0.4370
ds:	



Rated load (KN)

Cr:	4100
Cor:	3150

Bearing No.

Bearing No.:	SER212-36
--------------	-----------

Weight(kg)(lb)

Weight(kg)(lb):	
-----------------	--