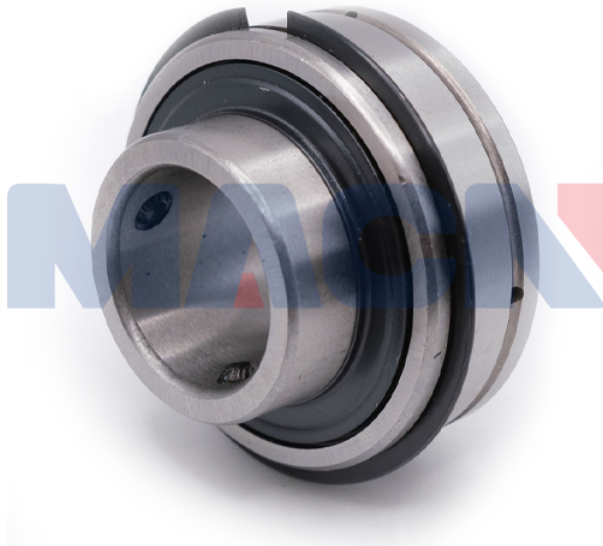


Model: SER209-27

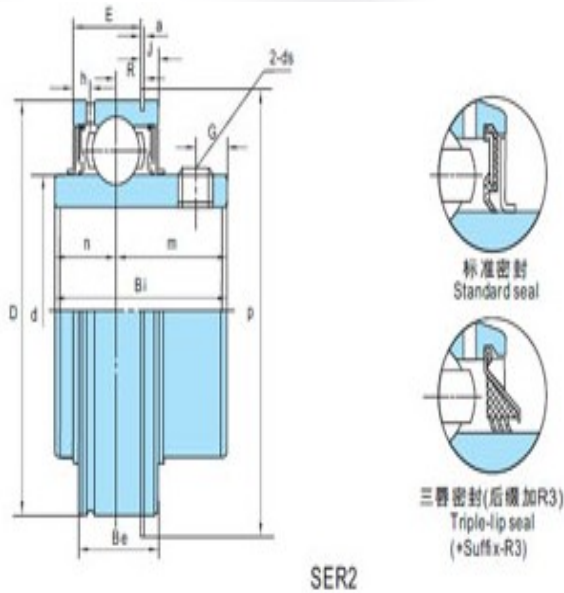


Shaft Dia.

d (in.):	1 11/16
d (mm):	

Dimensions(mm)(inch)

D:	3.3465
Bi:	1.9370
Be:	1.0945
n:	0.7480
m:	1.1890
E:	0.8905
a:	0.0650
h:	0.2520
R:	0.3433
J:	0.1291
P:	3.6060
G:	0.3150
ds:	



Rated load (KN)

Cr:	2560
Cor:	1810

Bearing No.

Bearing No.:	SER209-27
--------------	-----------

Weight(kg)(lb)

Weight(kg)(lb):	
-----------------	--