

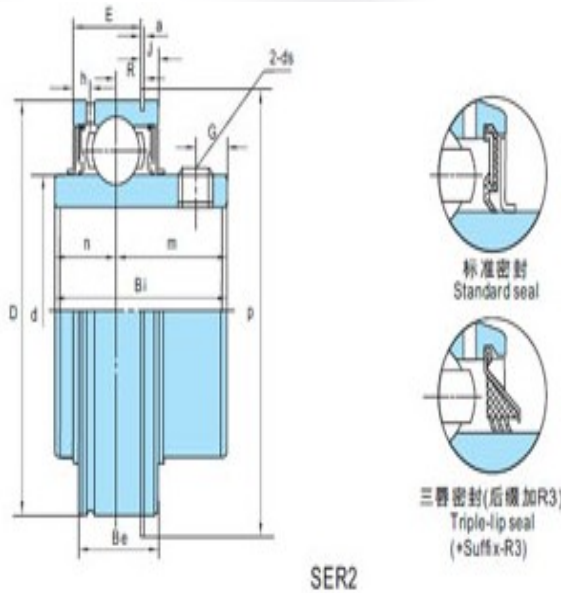
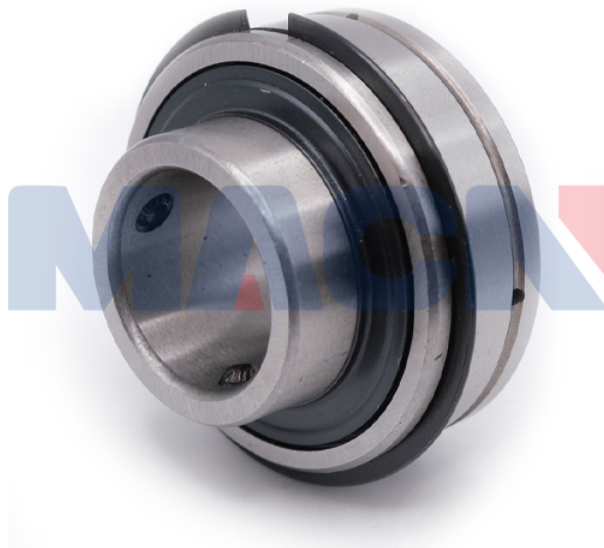
Model: SER207-22

Shaft Dia.

d (in.):	13/8
d (mm):	

Dimensions(mm)(inch)

D:	2.8346
Bi:	1.6890
Be:	0.9370
n:	0.6890
m:	1.0000
E:	0.7362
a:	0.0650
h:	0.2205
R:	0.2645
J:	0.1291
P:	3.0944
G:	0.2520
ds:	



Rated load (KN)

Cr:	2020
Cor:	1390

Bearing No.

Bearing No.:	SER207-22
--------------	-----------

Weight(kg)(lb)

Weight(kg)(lb):	
-----------------	--